

**FRA6**



- Miniature, high-capacity power relay ideal for incorporation in non-industrial
- Used with motor, transformer, lamp, heater, etc.
- Creepage distance more than 8 mm
- Nonflammable insulating materials meet UL94V-0
- Heavy duty, switching current up to 20A.
- Panel mount

**UL cUL** Recognized File No.: E 139468(N)

**Technical data**

**Characteristics**

- Contact Arrangement: SPST (1 Form A ), SPDT (1 Form C)
- Contact Material: Silver Alloy
- Contact Resistance: 50mΩ Max.
- Contact Rating (Resistive Load): 20A/220VAC/30VDC  
1 1/2HP 220VAC
- Switching Voltage: AC 220V Max.
- Operate Time (Initial): 15 ms Max.
- Release Time (Initial): 10 ms Max.
- Insulation Resistance: 1000MΩ Min. (500V DC)
- Dielectric Strength:
  - 1000V AC (50 Hz/min.) between open contacts
  - 2000V AC (50 Hz/min.) between coil and contacts
- Shock Resistance: Malfunction: 100 m/s<sup>2</sup>; Mechanical: 1000m/s<sup>2</sup>
- Vibration Resistance: 1.5mm Double Amplitude, 10-55Hz
- Ambient Temperature: -40 °C to +70 °C
- Humidity: 45 - 85% RH
- Operation Life:
  - Mechanical: 5 x 10<sup>6</sup>
  - Electrical: 10<sup>5</sup> (At rated load)
- Weight: 40g Approx.

**Coil rating**

Rated Voltage (VDC)	Coil Resistance Ω +/- 10%	Rated Current (mA)	Must operate voltage	Must dropout voltage	Maximum voltage	Power consumption (W)
			% of rated voltage (at +20 °C)			
12	160	75	70 Max.	10 Min.	110 Max.	0.9 Approx.
24	640	37.5				

**Ordering information**

**FRA6 - A - DC 12V**

Rated voltage

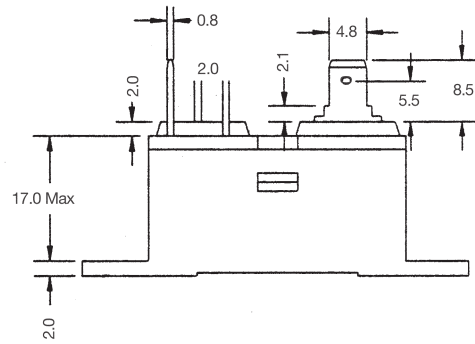
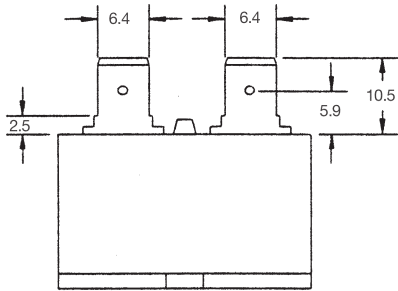
A: 1 Form A

C: 1 Form C

Relay model

**DIMENSIONS (mm)**

New Dimension 30.4 x 26 x 16 (mm) is available now



Terminal Arrangement  
Bottom view

