

FRM1HT



- Miniature high power relay with big performance in small package
- High contact capacity
- Designed for the use of heavy duty
- Slim type and low cost
- Dust cover or sealed type

Recognized File No.: E 139468 (N)

Technical data

Characteristics

- Contact Arrangement: SPST (1 Form A)
- Contact Material: Silver Alloy
- Contact Resistance: 50mΩ Max. (Measured at 1A 6VDC)
- Contact Rating (Resistive Load): 16A 250V AC/30VDC
- Switching voltage: DC 30V AC 277V Max.
- Switching Current: 20A Max.
- Switching Capacity: 4000VA/480W Max.
- Operate Time: 15 ms
- Release Time: 5 ms
- Insulation Resistance: 1000MΩ Min. (500V DC)
- Dielectric Strength:
 - 1500V AC (50 Hz/min.) between open contacts
 - 4000V AC (50 Hz/min.) between coil and contacts
- Ambient Temperature: -40 °C to +85 °C
- Humidity: 35 - 85% RH
- Operation Life:
 - Mechanical: 5 x 10⁶
 - Electrical: 1 x 10⁵
- Weight: 22g Approx.

Coil rating

Rated Voltage (VDC)	Coil Resistance Ω +/- 10%		Rated Current (mA)		Must operate voltage	Must dropout voltage	Maximum voltage	Power consumption (W)
	FRM1HT	FRM1HTB	FRM1HT	FRM1HTB				
5	50	36	100	139	75 Max.	10 Min.	130 Max.	FRM1HT 0.55 W Approx. FRM1HTB 0.72W Approx. (for 110 VDC, 0.75W Approx.)
6	68	50	88	120				
9	155	115	58	78				
12	270	200	44	60				
18	620	460	29	39				
24	1100	820	22	29				
48	4400	3300	11	14.5				
60	6750	5000	9	12				
110	-	16200	-	7				

Ordering information

FRM1HT B - 1A 1 - DC 12V

Rated voltage

Contact termination

1: fig.1

2: fig. 2

3: fig. 3

Contact arrangement : 1 Form A

NIL: 0.55W

B: 0.72W

Relay model

DIMENSIONS (mm)

FIG. 1

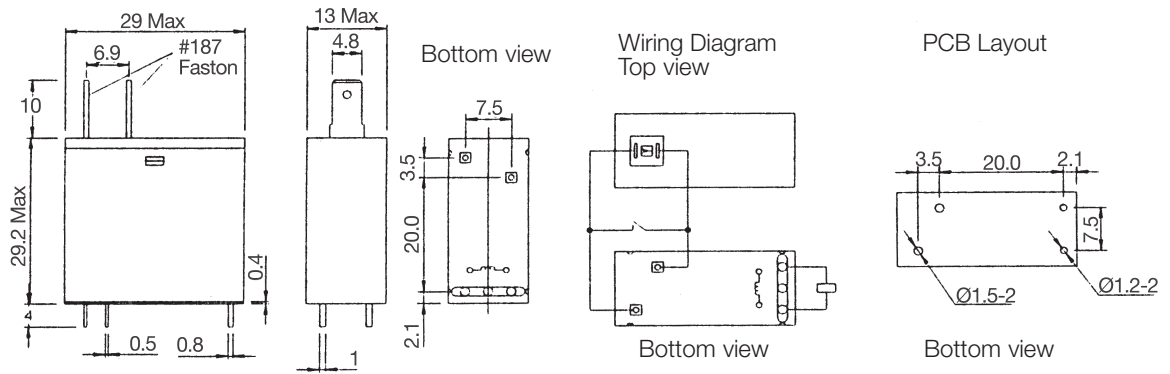


FIG. 2

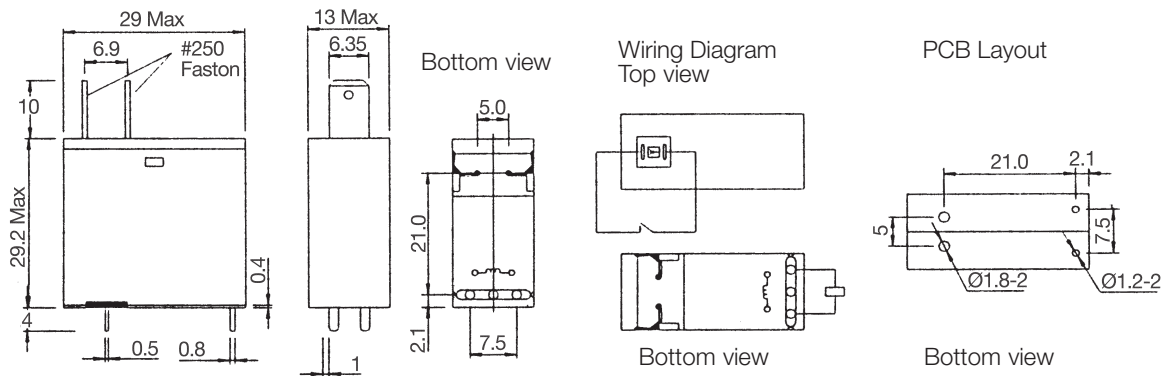


FIG. 3

