

FRC2



- High contact rating (50A)
- High temperature design
- Ideal for using in control-car starter and light
- Plug in or P.C. board terminal

Technical data

Characteristics

- Contact Arrangement: SPST (1 Form A), SPDT (1 Form C)
1 Form U (2 x 1 Form A)
- Contact Material: Silver Alloy
- Contact Resistance: 50mΩ Max.
- Contact Rating (Resistive Load):
1 Form A: 50A 14VDC
1 Form C: 50A 14VDC (NO) - 40A 14VDC (NC)
1 Form U: 2 x 25A 14VDC
- Switching Voltage: DC75V
- Operate Time (Initial): 7 ms Max. Typical
- Release Time (Initial): 5 ms Max. Typical
- Insulation Resistance: 100MΩ Min. (500V DC)
- Shock Resistance: 20g Approx.
- Dielectric Strength: 500Vrms between coil and contact
- Vibration Resistance: 1.5mm Double Amplitude, 10-40Hz
- Ambient Temperature:
 - Operating: -40 °C to 85 °C
 - Storage: -40 °C to 125 °C
- Humidity: 40 - 85% RH
- Operation Life:
 - Mechanical: 10⁷
 - Electrical: 10⁶ (At rated load)
- Weight: 35g Approx.

Coil rating

Rated Voltage (VDC)	Coil Resistance Ω +/- 10%	Rated Current (mA)	Must operate voltage	Must dropout voltage	Maximum voltage	Power consumption (W)
			% of rated voltage (at +20 °C)			
6	20	300	65 Max.	10 Min.	130 Max.	1.8 Approx.
12	80	150				
24	320	75				

If use resistor: 6VDC with 180Ω - 12VDC with 680Ω - 24VDC with 2702Ω

Ordering information

FRC2 A - 1 A N S - DC 12V

Rated voltage

NIL: Unsealed type

S: Sealed type

NIL: Standard type

N: with Diode

R: Resistor

NIL: Plug in type

A: PCB type

NIL: Moulded bracket dust cover

1: Plain dust cover

2: Metal bracket dust cover (no sealed type)

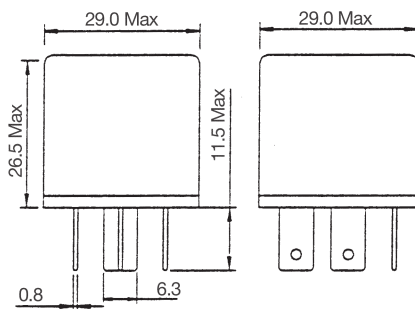
Contact arrangement:

A = SPST C = SPDT U = 2 x SPST

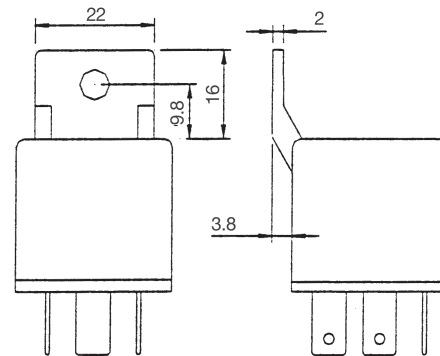
Relay model

DIMENSIONS (mm)

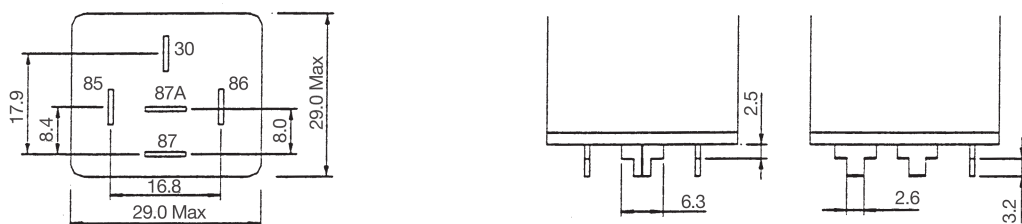
Plain Dust Cover
(Plug in type terminal)



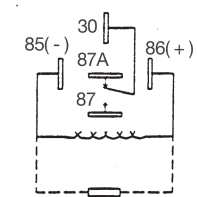
Moulded Bracket Dust Cover



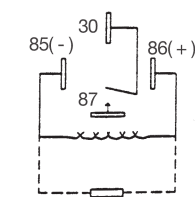
PCB Type Terminal



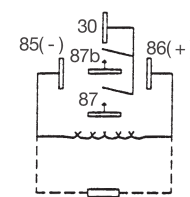
Terminal Arrangement (Bottom view)



Diode or Resistor if Used
1 Form C



Diode or Resistor if Used
1 Form A



Diode or Resistor if Used
1 Form U