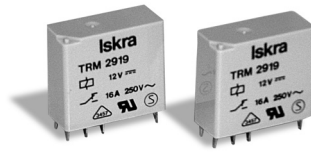


**TRM 29**

**Relay for printed circuits with socket**



- 10Amps and 16Amps 250VAC
- High Insulation Resistance
- High Switching Capacity
- Low Coil Consumption

**Technical data**

**Characteristics**

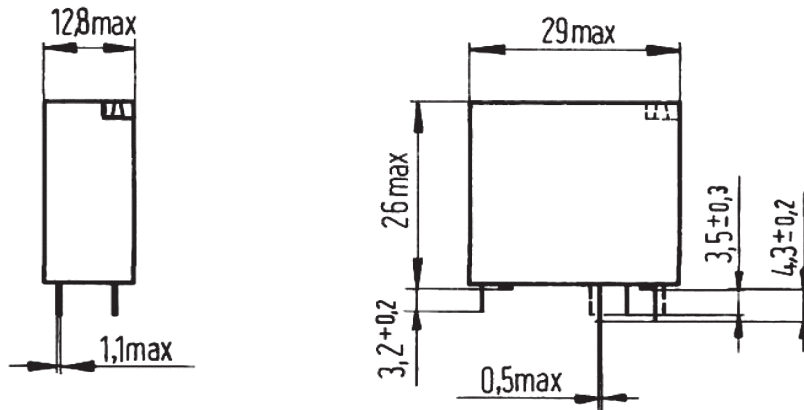
- Contact Form: 1 Change-over, 1 Make, 1 Break
- Contact Material: For TRM2901 to TRM2906 AgNi10 (Gold-plated on request)  
For TRM2917 to TRM2919 AgCdO
- Rated Current: 10A TRM2901 to TRM2906  
16A TRM2917 to TRM2919
- Max. Switch-on current: 20A TRM2901 to TRM2906  
30A TRM2917 to TRM2919
- Rated Voltage acc. to VDE: 250VAC
- Max. Operating Voltage: 380VAC
- Max. Switching Power: 2500VA TRM2901 to TRM2906  
4000VA TRM2917 to TRM2919
- Min. Permissible Load: 5VDC 100mA
- Electrical Life: 5x10<sup>4</sup> operations TRM2901 to TRM2906  
3x10<sup>4</sup> operations TRM2917 to TRM2919
- Operating Frequency-Rated Load:  
1800 operations/h TRM2901 to TRM2906  
1600 operations/h TRM2917 to TRM2919
- Excitation Data:  $U_{t\ min.} = K_1 U_{min.} 20^\circ C$   
 $U_{t\ max.} = K_2 U_{max.} 20^\circ C$
- Test Voltage: contact-coil > 4 kVrms  
open-contacts > 1 kVrms
- Creepage Distances: contact-coil > 8 mm
- Insulation Resistance: > 10<sup>9</sup> MΩ (New Relay)Ω
- Ambient Temperature: operating -25°C/+55°C,  
storage -40°C/+85°C
- Mechanical Life: > 10<sup>7</sup> operations
- Make Time at Un (bounce incl.): < 15ms
- Break Time (bounce incl.): < 10ms
- Resistance to Shocks (11ms): safe operation 10 G  
endurance 100 G
- Resistance to Vibrations:  
10 G, 10 to 55 Hz, (contact interruption < 10 μs)
- Protection Degree: IP 67, IEC 529
- Seal Test: Qc/2, IEC68-2-17
- Enclosure Nonflammability: V-O UL 94
- Pick-up Class: b, IEC 255-1-00
- Mounting Position: optional, mounting distance is 5 mm
- Relay Weight: abt. 16 g

Factor \ °C	40	-20	0	+20	+40	+60
K <sub>1</sub>	0.76	0.84	0.92	1	1.08	1.16
K <sub>2</sub>	1.19	1.16	1.08	1	0.88	0.75

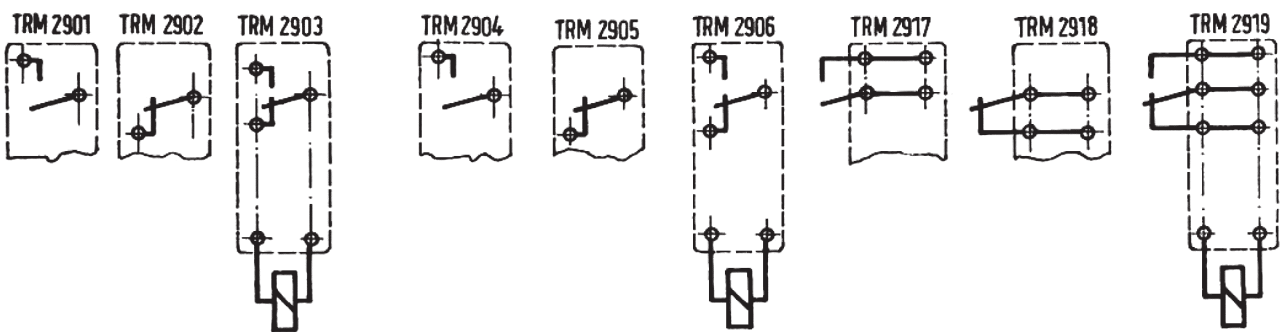
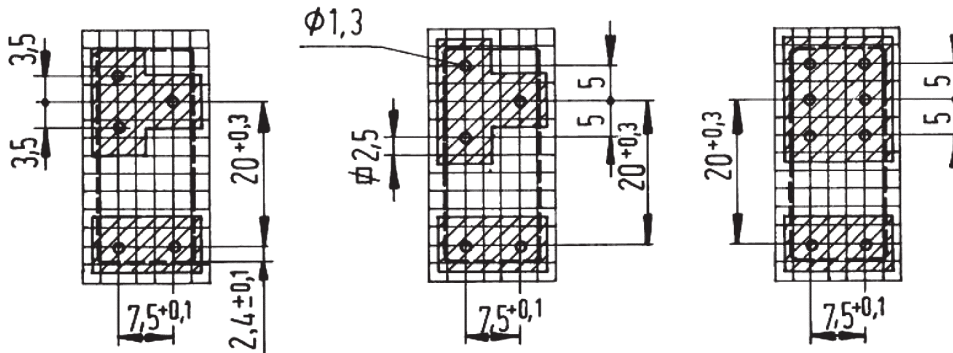
- Nominal Coil Power: standard version 0.6W to 0.8W  
sensitive version 0.5W to 0.6W
- Permanent Thermal Coil Power: 1.5W
- Pick-up Voltage:  $U_{pi.} \leq 75\% U_n$
- Drop-out Voltage:  $U_{dr.} \geq 10\% U_n$
- Max. Coil Temperature: 130°C
- Operative Range: class 1, IEC 255-1-00



**Dimensions and Terminals Layout in mm**



Terminal Side View



According to VDE 0435/26 standards, no conductive ways are allowed on double side PC Board inside hatched surfaces around terminals.