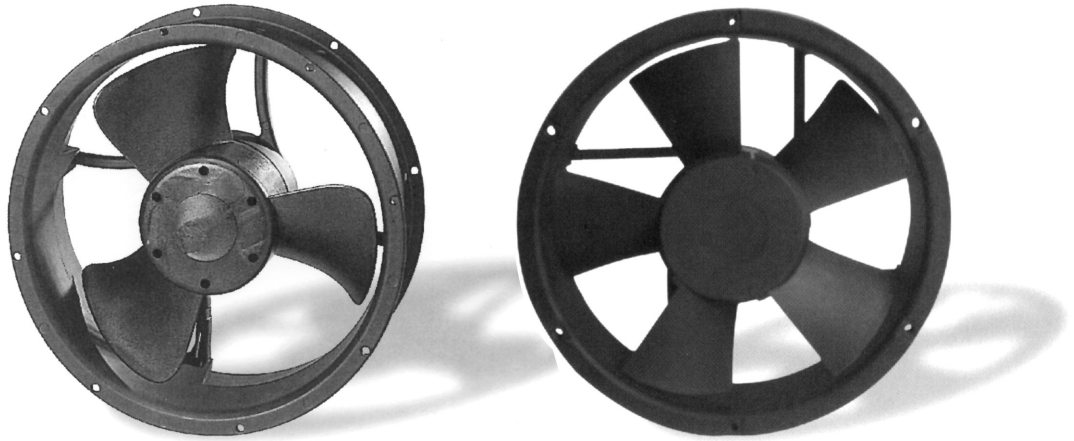


AXIAL AC FAN

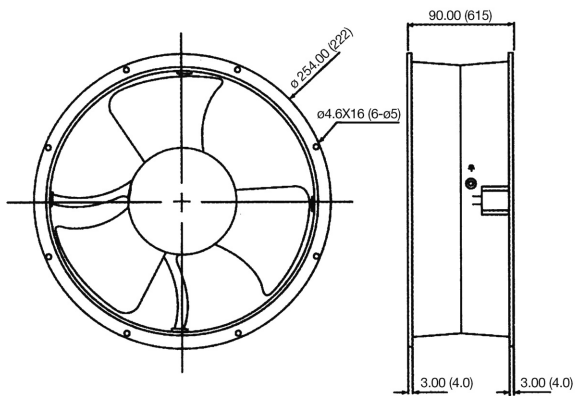
Ø 250x89 mm

Ø 220x60 mm



Model	Part No. Terminal Leadwire	Bearing System	Rated Voltage	Freq	Current	Input Power	Speed	Air Flow	Static Pressure	Noise Level	Weight
			V	Hz	A	W	rpm	CFM	mm-H ₂ O	dB-A	g
SJ2509HA1	2509HA1BAT(L)	Ball	110/120	50/60	0.36/0.45	38/45	1450/1850	510/600	0.21/0.24	48/56	1780
SJ2509HA2	2509HA2BAT(L)	Ball	220/240	50/60	0.18/0.22	38/45	1450/1850	510/600	0.21/0.24	48/56	1780
SJ2206HA1	2206HA1BAT(L)	Ball	110/120	50/60	0.35/0.42	37/49	2800/3200	400/450	0.28/0.36	61/66	1430
SJ2206HA2	2206HA2BAT(L)	Ball	220/240	50/60	0.17/0.22	38/51	2800/3200	400/450	0.28/0.36	61/66	1430

Dimensions (mm)



Performance Curve

