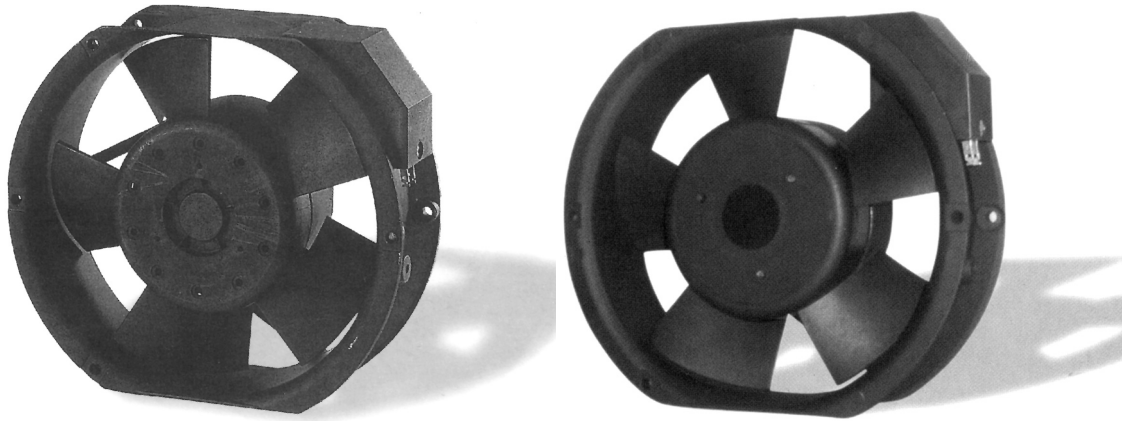
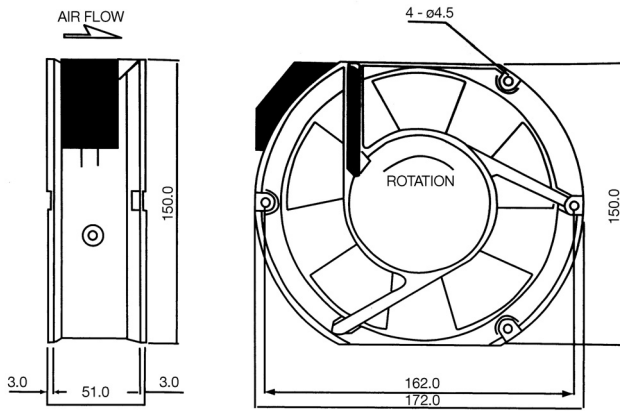


**AXIAL AC FAN**  
**172x150x51 mm**



Model	Part No. Terminal Leadwire	Bearing System	Rated Voltage	Freq	Current	Input Power	Speed	Air Flow	Static Pressure	Noise Level	Weight
			V	Hz	A	W	rpm	CFM	mm-H <sub>2</sub> O	dB-A	g
SJ1725HA1	1725HA1BAT(L)	Ball	110/120	50/60	0.47/0.51	38/47	2700/3100	190/210	0.55/0.72	53/59	920
SJ1725HA2	1725HA2BAT(L)	Ball	220/240	50/60	0.28/0.40	44/53	2700/3100	190/210	0.55/0.72	53/59	920
SJ1751HA1	1751HA1BAT(L)	Ball	110/120	50/60	0.20/0.25	22/30	2850/3400	210/240	0.51/0.68	50/57	920
SJ1751HA2	1751HA2BAT(L)	Ball	220/240	50/60	0.10/0.13	22/30	2850/3400	210/240	0.51/0.68	50/57	920

**Dimensions (mm)**



**Performance Curve**

