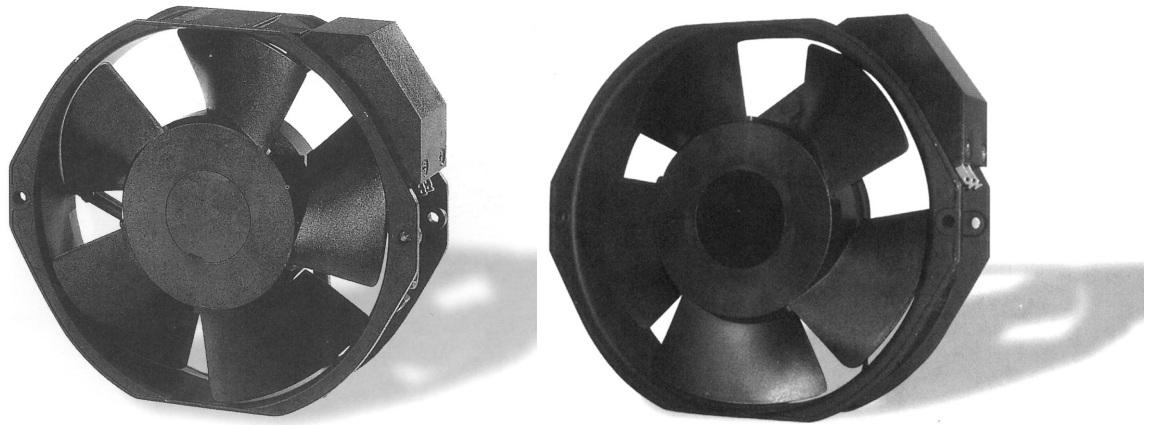
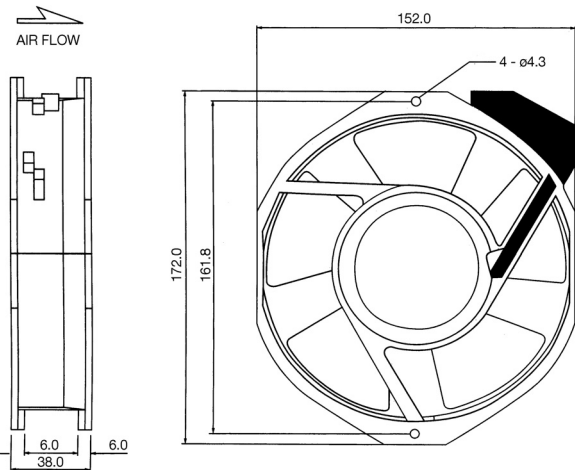


AXIAL AC FAN
172x150x38 mm



Model	Part No. Terminal Leadwire	Bearing System	Rated Voltage	Freq	Current	Input Power	Speed	Air Flow	Static Pressure	Noise Level	Weight
			V	Hz	A	W	rpm	CFM	mm-H ₂ O	dB-A	g
SJ1723HA1	1723HA1BAT(L)	Ball	110/120	50/60	0.35/0.38	26/38	2600/3000	160/190	0.44/0.60	48/53	760
SJ1723HA2	1723HA2BAT(L)	Ball	220/240	50/60	0.18/0.22	30/40	2600/3000	160/190	0.44/0.60	48/53	760
SJ1738HA1	1738HA1BAT(L)	Ball	110/120	50/60	0.24/0.27	26/32	2850/3400	175/220	0.65/0.75	54/58	760
SJ1738HA2	1738HA2BAT(L)	Ball	220/240	50/60	0.11/0.14	25/32	2850/3400	175/220	0.65/0.75	54/58	760

Dimensions (mm)



Performance Curve

