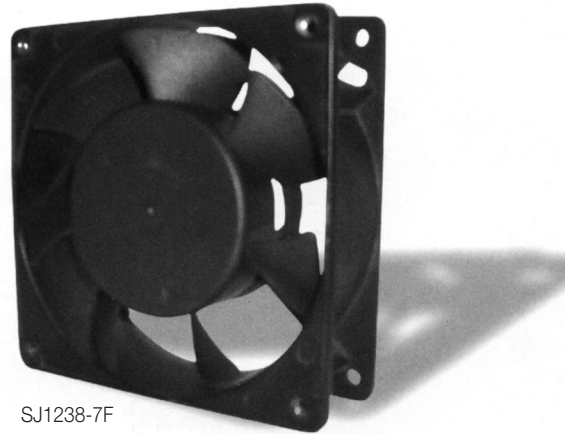


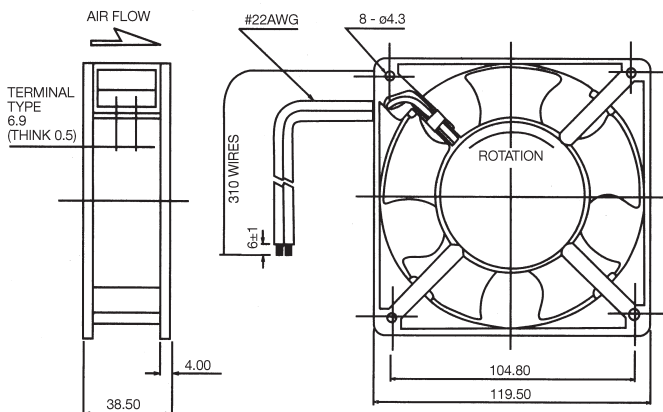
AXIAL AC FAN
120x120x38 mm



SJ1238-7F

Model	Part No. Terminal Leadwire	Bearing System	Rated Voltage	Freq	Current	Input Power	Speed	Air Flow	Static Pressure	Noise Level	Weight
			V	Hz	A	W	rpm	CFM	mm-H ₂ O	dB-A	g
SJ1238HA1-7F	1238HA1SAT(L) 1238HA1BAT(L)	Sleeve Ball	110/120	50/60	0.21/0.28	16/25	2400/2800	84/105	0.28/0.34	45/51	520
SJ1238HA2-7F	1238HA2SAT(L) 1238HA2BAT(L)	Sleeve Ball	220/240	50/60	0.09/0.12	15/22	2400/2800	84/105	0.28/0.34	45/51	520
SJ1238HA1	1238HA1SAT(L) 1238HA1BAT(L)	Sleeve Ball	110/120	50/60	0.21/0.28	16/25	2600/3000	84/105	0.28/0.34	45/51	520
SJ1238HA2	1238HA2SAT(L) 1238HA2BAT(L)	Sleeve Ball	220/240	50/60	0.09/0.12	15/22	2600/3000	84/105	0.28/0.34	45/51	520
SJ1238MA1	1238MA1SAT(L) 1238MA1BAT(L)	Sleeve Ball	110/120	50/60	0.13/0.17	10/14	2500/2800	80/90	0.18/0.24	39/43	520
SJ1238MA2	1238MA2SAT(L) 1238MA2BAT(L)	Sleeve Ball	220/240	50/60	0.07/0.09	11/16	2500/2800	80/90	0.18/0.24	39/43	520
SJ1238LA1	1238LA1SAT(L) 1238LA1BAT(L)	Sleeve Ball	110/120	50/60	0.10/0.12	9/11	1900/2500	65/78	0.10/0.18	35/40	520
SJ1238LA2	1238LA2SAT(L) 1238LA2BAT(L)	Sleeve Ball	220/240	50/60	0.05/0.06	9/11	1900/2500	65/78	0.10/0.18	35/40	520

Dimensions (mm)



Performance Curve

