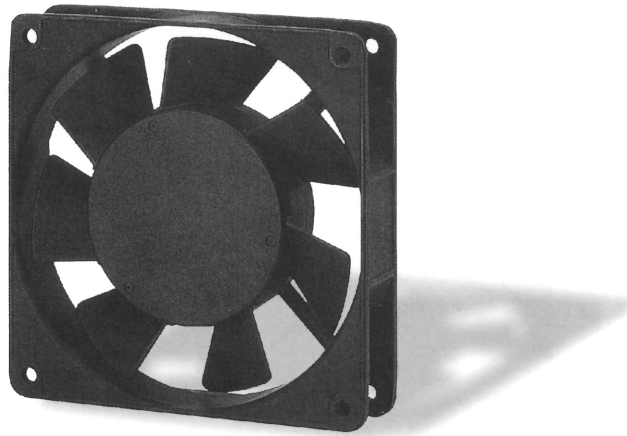
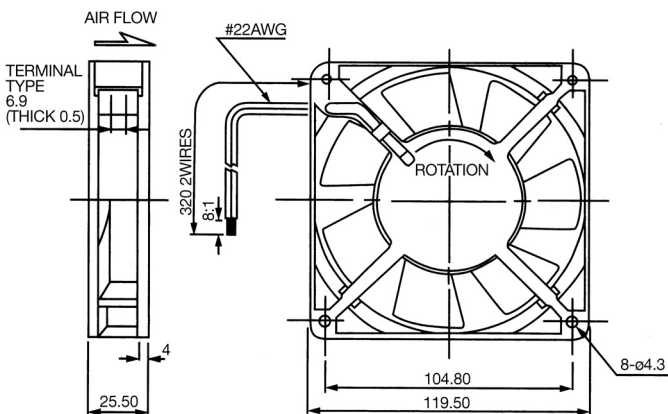


AXIAL AC FAN
120x120x25 mm



Model	Part No. Terminal Leadwire	Bearing System	Rated Voltage	Freq	Current	Input Power	Speed	Air Flow	Static Pressure	Noise Level	Weight
			V	Hz	A	W	rpm	CFM	mm-H ₂ O	dB-A	g
SJ1225HA1	1225HA1SAT(L) 1225HA1BAT(L)	Sleeve Ball	110/120	50/60	0.13/0.18	11/18	2300/2800	60/76	0.11/0.14	40/44	338
SJ1225HA2	1225HA2SAT(L) 1225HA2BAT(L)	Sleeve Ball	220/240	50/60	0.07/0.09	14/19	2300/2700	60/76	0.11/0.14	40/44	338
SJ1225LA1	1225LA1SAT(L) 1225LA1BAT(L)	Sleeve Ball	110/120	50/60	0.08/0.11	7/10	2300/2600	50/60	0.08/0.11	33/37	338
SJ1225LA2	1225LA2SAT(L) 1225LA2BAT(L)	Sleeve Ball	220/240	50/60	0.05/0.06	10/13	2100/2400	50/60	0.08/0.11	33/37	338

Dimensions (mm)



Performance Curve

