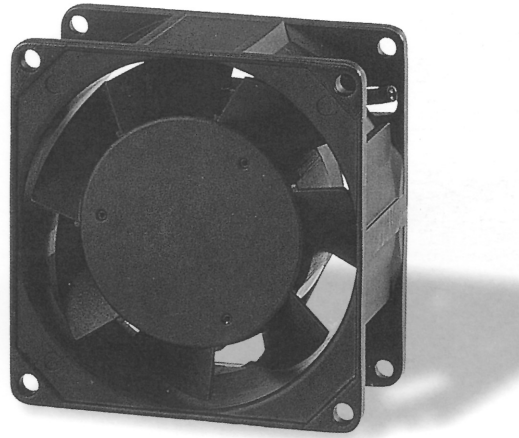
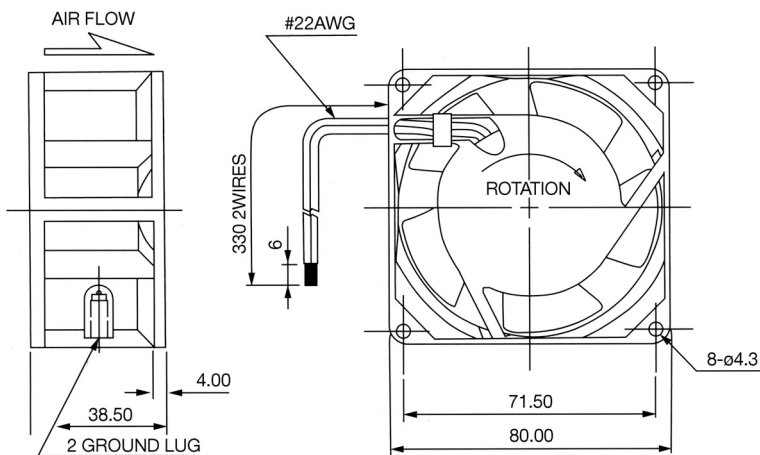


**AXIAL AC FAN**  
**80x80x38 mm**



Model	Part No. Terminal Leadwire	Bearing System	Rated Voltage	Freq	Current	Input Power	Speed	Air Flow	Static Pressure	Noise Level	Weight
			V	Hz	A	W	rpm	CFM	mm-H <sub>2</sub> O	dB-A	g
SJ8038HA1	8038HA1SAT(L) 8038HA1BAT(L)	Sleeve Ball	110/120	50/60	0.11/0.15	10/16	2300/2800	32/35	0.17/0.11	35/31	293
SJ8038HA2	8038HA2SAT(L) 8038HA2BAT(L)	Sleeve Ball	220/240	50/60	0.06/0.08	10/17	2300/2800	32/35	0.17/0.11	35/31	293

**Dimensions (mm)**



**Performance Curve**

