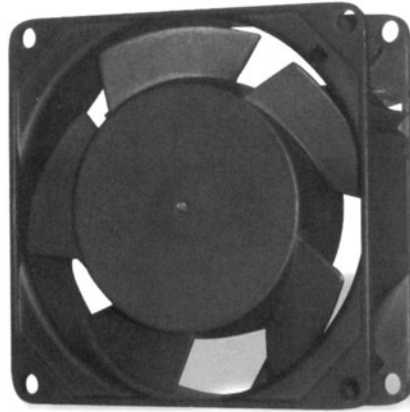


AXIAL AC FAN
80x80x25 mm



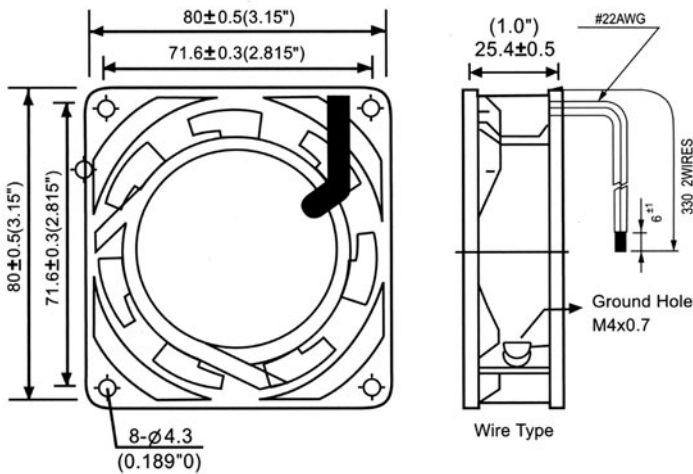
8025



80025

Model	Part No. Terminal Leadwire	Bearing System	Rated Voltage	Freq	Current	Input Power	Speed	Air Flow	Static Pressure	Noise Level	Weight
			V	Hz	A	W	rpm	CFM	mm-H ₂ O	dB-A	g
SJ8025HA1	8025HA1SAL 8025HA1BAL	Sleeve Ball	110/120	50/60	0.17/0.19	13/14	1700/2200	21/23	0.18/0.21	29/33	200
SJ8025HA2	8025HA2SAL 8025HA2BAL	Sleeve Ball	220/240	50/60	0.10/0.12	13/14	1700/2200	21/23	0.18/0.21	29/33	200
SJ80025HA1	80025HA1SAL 80025HA1BAL	Sleeve Ball	110/120	50/60	0.12/0.14	9/12	2600/3100	21/24	0.16/0.22	32/35	240
SJ80025HA2	80025HA2SAL 80025HA2BAL	Sleeve Ball	220/240	50/60	0.05/0.09	9/12	2600/3100	21/24	0.16/0.22	32/35	240

Dimensions (mm)



Performance Curve

