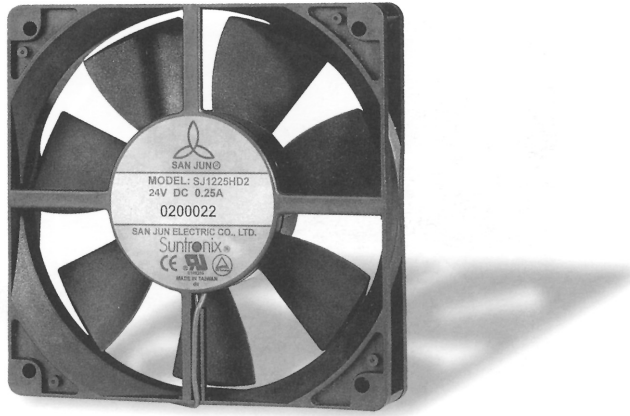
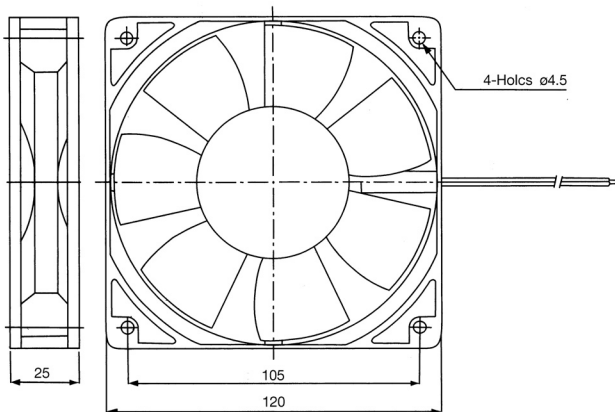


BRUSHLESS DC FAN
120x120x25 mm



Model	Part No. Terminal Leadwire	Bearing System	Rated Voltage	Current	Input Power	Air Flow	Static Pressure	Speed	Noise Level	Weight
			V	A	W	CFM	mm-H ₂ O	rpm	dB-A	g
SJ1225HD1	1225HD1S(B)PL	Sleeve/Ball	12	0.30	3.60	82.97	4.72	2400	42.0	135
SJ1225MD1	1225MD1S(B)PL	Sleeve/Ball	12	0.25	3.00	74.25	4.05	2100	37.0	135
SJ1225LD1	1225LD1S(B)PL	Sleeve/Ball	12	0.20	2.40	67.43	3.02	1800	33.0	135
SJ1225HD2	1225HD2S(B)PL	Sleeve/Ball	24	0.25	6.00	82.97	4.72	2400	42.0	135
SJ1225MD2	1225MD2S(B)PL	Sleeve/Ball	24	0.20	4.80	74.25	4.05	2100	37.0	135
SJ1225LD2	1225LD2S(B)PL	Sleeve/Ball	24	0.15	3.60	67.43	3.02	1800	33.0	135

Dimensions (mm)



Performance Curve

