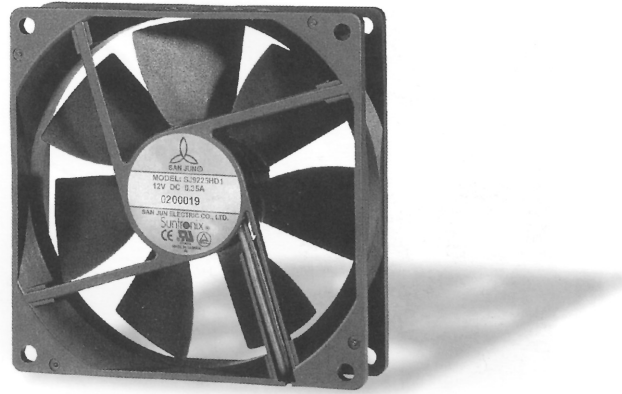


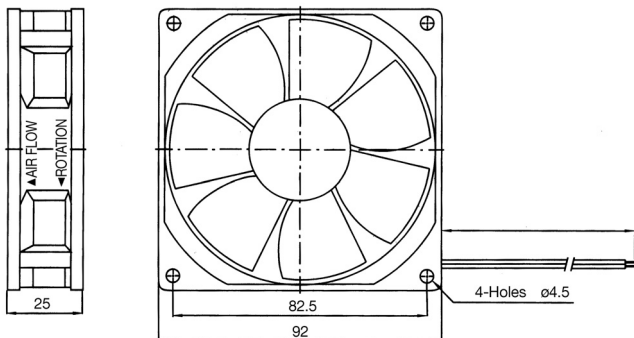
**BRUSHLESS DC FAN**

**90x90x25 mm**



Model	Part No. Terminal Leadwire	Bearing System	Rated Voltage	Current	Input Power	Air Flow	Static Pressure	Speed	Noise Level	Weight
			V	A	W	CFM	mm-H <sub>2</sub> O	rpm	dB-A	g
SJ9025HD1	9025HD1S(B)PL	Sleeve/Ball	12	0.35	4.20	50.09	3.60	2800	37.0	95
SJ9025MD1	9025MD1S(B)PL	Sleeve/Ball	12	0.20	2.40	45.43	2.97	2500	34.0	95
SJ9025LD1	9025LD1S(B)PL	Sleeve/Ball	12	0.16	1.92	37.70	2.06	2100	28.0	65
SJ9025HD2	9025HD2S(B)PL	Sleeve/Ball	24	0.19	4.56	52.09	3.60	2800	37.0	95
SJ9025MD2	9025MD2S(B)PL	Sleeve/Ball	24	0.15	3.60	45.43	2.97	2500	34.0	95
SJ9025LD2	9025LD2S(B)PL	Sleeve/Ball	24	0.13	3.12	37.70	2.06	2100	28.0	95

**Dimensions (mm)**



**Performance Curve**

