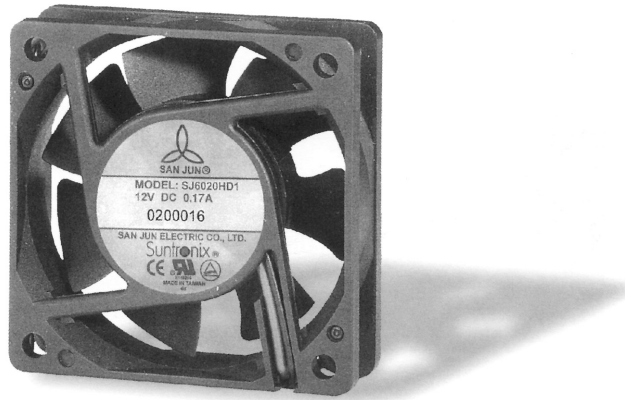
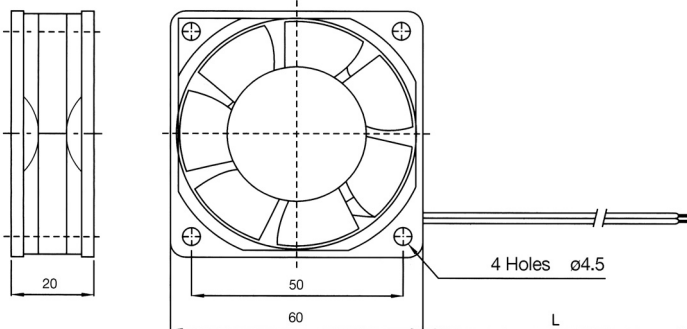


**BRUSHLESS DC FAN**  
60x60x20 mm



Model	Part No. Terminal Leadwire	Bearing System	Rated Voltage	Current	Input Power	Air Flow	Static Pressure	Speed	Noise Level	Weight
			V	A	W	CFM	mm-H <sub>2</sub> O	rpm	dB-A	g
SJ6020HD1	6020HD1S(B)PL	Sleeve/Ball	12	0.17	2.04	15.90	4.86	4500	30.5	50
SJ6020MD1	6020MD1S(B)PL	Sleeve/Ball	12	0.15	1.80	14.45	4.35	4000	28.5	50
SJ6020LD1	6020LD1S(B)PL	Sleeve/Ball	12	0.13	1.56	12.90	3.48	3500	25.3	50
SJ6020HD2	6020HD2S(B)PL	Sleeve/Ball	24	0.13	3.12	15.90	5.86	4500	30.5	50
SJ6020MD2	6020MD2S(B)PL	Sleeve/Ball	24	0.11	2.64	14.45	4.38	4000	28.5	50
SJ6020LD2	6020LD2S(B)PL	Sleeve/Ball	24	0.09	2.16	12.90	2.06	3500	25.3	50

**Dimensions (mm)**



**Performance Curve**

