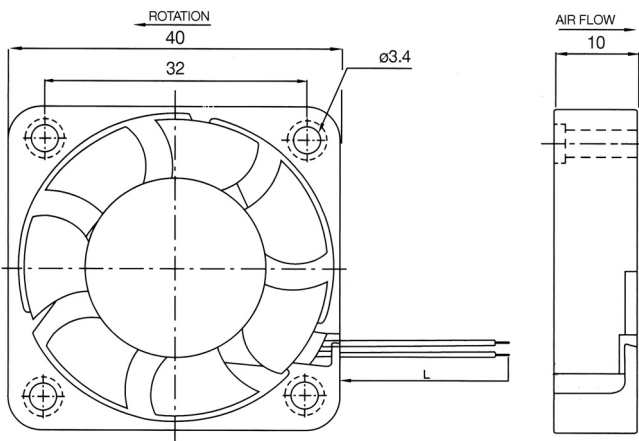


**BRUSHLESS DC FAN**  
40x40x10 mm



Model	Part No. Terminal Leadwire	Bearing System	Rated Voltage	Current	Input Power	Air Flow	Static Pressure	Speed	Noise Level	Weight
			V	A	W	CFM	mm-H <sub>2</sub> O	rpm	dB-A	g
SJ4010HD5	4010HD5S(B)PL	Sleeve/Ball	5	0.18	0.90	6.36	1.95	6000	24.0	12.5
SJ4010MD5	4010MD5S(B)PL	Sleeve/Ball	5	0.16	0.80	5.30	1.64	5000	23.0	12.5
SJ4010LD5	4010LD5S(B)PL	Sleeve/Ball	5	0.14	0.70	4.24	1.33	4000	22.0	12.5
SJ4010HD1	4010HD1S(B)PL	Sleeve/Ball	12	0.11	1.32	6.36	1.95	6000	24.0	12.5
SJ4010MD1	4010MD1S(B)PL	Sleeve/Ball	12	0.09	0.96	5.30	1.64	5000	23.0	12.5
SJ4010LD1	4010LD1S(B)PL	Sleeve/Ball	12	0.07	0.84	4.24	1.33	4000	22.0	12.5

**Dimensions (mm)**



**Performance Curve**

