

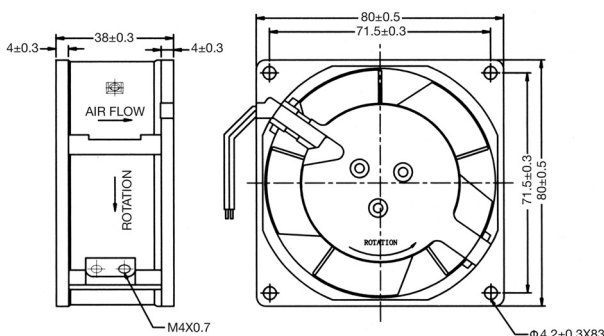
AC COOLING FAN 3C
80x80x38 mm



- Construction:
 - Die-cast aluminum housing
 - Glass fiber reinforced plastic: impeller are UL 94V-0 rating
 - Shaded pole motor
 - Impedance protected
 - Leader wire or terminal is available
- Operating temperature: Ball bearing -30 °C to +75 °C
 Sleeve bearing -10 °C to +70 °C
- Weight: 330 grams

Model No.	Bearing	Rated Voltage	Frequency	Max. Rated Current	Max. Input Power	Speed	Max. Air Flow		Max. Air Pressure		Noise
		VAC	Hz	mA	W	R.P.M.	m³/min	CFM	mmH ₂ O	IN H ₂ O	dB-A
3C-115B 3C-115S	Ball Sleeve	115	50/60	180/150	15/12	2600/3000	0.79/0.96	28/34	3.3/4.70	0.13/0.18	30/36
3C-230B 3C-230S	Ball Sleeve	230	50/60	90/75	15/12	2600/3000	0.82/0.99	29/35	3.3/4.70	0.13/0.18	29/35
3C-DVB 3C-DVS	Ball Sleeve	230/115	50/60	200/170	15/12	2600/3000	0.82/0.96	29/34	3.1/4.50	0.12/0.17	30/36

Dimensions (mm)



Performance Curve

