

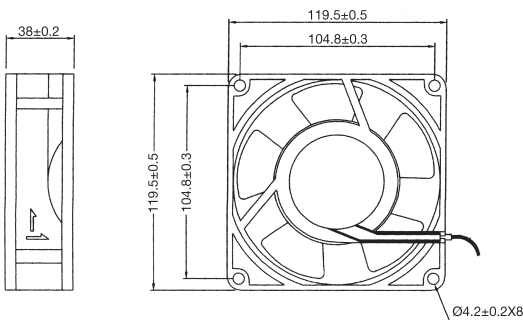
**AC COOLING FAN 4C**  
120x120x38 mm



- Construction:
  - Die-cast aluminum housing
  - Glass fiber reinforced plastic: impeller are UL 94V-0 rating
  - Impedance protected
  - Leader wire or terminal is available
- Operating temperature:
  - Ball bearing -30 °C to +75 °C
  - Sleeve bearing -10 °C to +70 °C
- Weight: 500 grams

Model No.	Bearing	Rated Voltage	Frequency	Max. Rated Current	Max. Input Power	Speed	Max. Air Flow		Max. Air Pressure		Noise
		VAC	Hz	mA	W	R.P.M.	m³/min	CFM	mmH <sub>2</sub> O	IN H <sub>2</sub> O	dB-A
4C-115B-16	Ball	115	50/60	110/100	10/9	1550/1600	1.32/1.36	46.5/48	3.10/3.20	0.12/0.13	25/29
4C-115S-16	Sleeve										
4C-115LB	Ball	115	50/60	120/110	10/9	1800/1900	1.61/1.78	57/63	3.20/4.20	0.16/0.17	30/34
4C-115LS	Sleeve										
4C-230LB	Ball	230	50/60	65/60	10/9	1800/1900	1.61/1.78	57/63	3.20/4.20	0.16/0.17	30/34
4C-230LS	Sleeve										
4C-115MB	Ball	115	50/60	130/120	11/10	2350/2400	2.01/2.04	71/72	4.70/4.80	0.18/0.19	35/39
4C-115MS	Sleeve										
4C-230MB	Ball	230	50/60	108/107	11/10	2350/2400	2.01/2.04	71/72	4.70/4.80	0.18/0.19	35/39
4C-230MS	Sleeve										
4C-115HB	Ball	115	50/60	220/200	18/16	2650/3000	2.52/2.83	89/100	6.60/7.60	0.24/0.30	46/48
4C-115HS	Sleeve										
4C-230HB	Ball	230	50/60	135/110	22/19	2650/3000	2.52/2.83	89/100	6.60/7.60	0.24/0.30	46/48
4C-230HS	Sleeve										
4C-DVB	Ball	230/115	50/60	150/250	23/19	2650/3050	2.52/2.83	89/100	6.60/7.50	0.24/0.30	46/48
4C-DVS	Sleeve										

**Dimensions (mm)**



**Performance Curve**

