

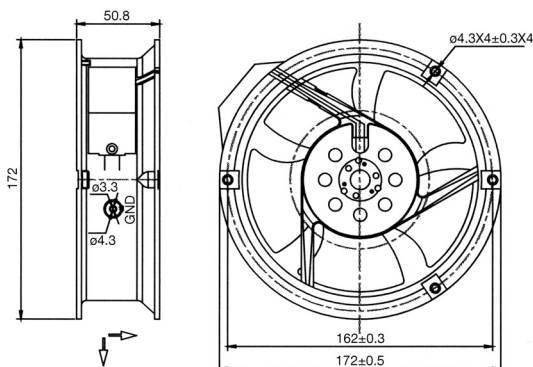
**AC COOLING FAN 6C  
ROUND FRAME  
Ø 172x51 mm**



- Construction:
  - Die-cast aluminum housing
  - Glass fiber reinforced plastic: impeller are UL 94V-0 rating
  - Capacitor-start motor / Shaded pole motor
  - Impedance protected
  - Leader wire or Terminal available
- Operating temperature: Ball bearing -30 °C to +75 °C
- Weight: 945 grams

Model No.	Bearing	Rated Voltage	Frequency	Max. Rated Current	Max. Input Power	Speed	Max. Air Flow		Max. Air Pressure		Noise
		VAC	Hz	mA	W	R.P.M.	m <sup>3</sup> /min	CFM	mmH <sub>2</sub> O	IN H <sub>2</sub> O	
6C-115HBC	Ball	115	50/60	580/550	45/43	2850/3400	5.61/6.66	198/235	13.80/18.0	0.54/0.71	55/59
6C-230HBC	Ball	230	50/60	140/160	30/30	2850/3400	5.61/6.66	198/235	13.80/18.0	0.54/0.71	55/59
6C-115HBS	Ball	115	50/60	640/540	48/46	2750/3100	5.61/6.66	198/235	13.80/18.0	0.54/0.71	55/59
6C-230HBS	Ball	230	50/60	300/280	46/44	2750/3100	5.61/6.66	198/235	13.80/18.0	0.54/0.71	55/59

**Dimensions (mm)**



**Performance Curve**

