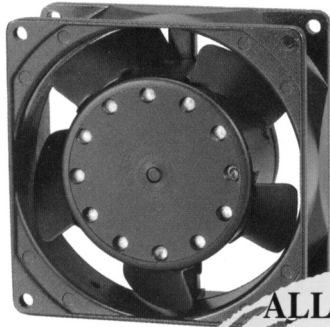


**AC COOLING FAN 3.5E**  
92x92x38 mm



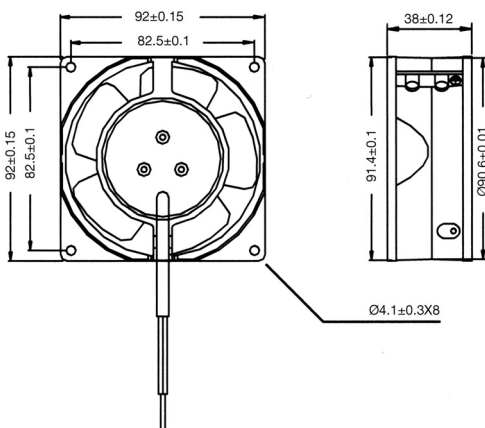
**ALL METAL**



- Construction:
  - All metal
  - Die-cast aluminum housing
  - Metal impeller
  - Shaded pole motor
  - Impedance protected
  - Leader wire available
- Operating temperature:
  - Ball bearing -30 °C to +75 °C
  - Sleeve bearing -10 °C to +70 °C
- Weight: 470 grams

Model No.	Bearing	Rated Voltage	Frequency	Max. Rated Current	Max. Input Power	Speed	Max. Air Flow		Max. Air Pressure		Noise
		VAC	Hz	mA	W		R.P.M.	m <sup>3</sup> /min	CFM	mmH <sub>2</sub> O	
3.5E-115HB	Ball	115	50/60	250/240	16/14	2600/3000	1.33/1.56	47/55	5.4/6.9	0.21/0.27	38/43
3.5E-115HS	Sleeve										
3.5E-230HB	Ball	230	50/60	150/140	16/14	2600/3000	1.33/1.56	47/55	5.4/6.9	0.21/0.27	38/43
3.5E-230HS	Sleeve										
3.5E-DVB	Ball	230/115	50/60	150/240	16/14	2600/3000	1.33/1.56	47/55	5.4/6.9	0.21/0.27	38/43
3.5E-DVS	Sleeve										

**Dimensions (mm)**



**Performance Curve**

