



AC COOLING FAN 4E
119x119x38 mm

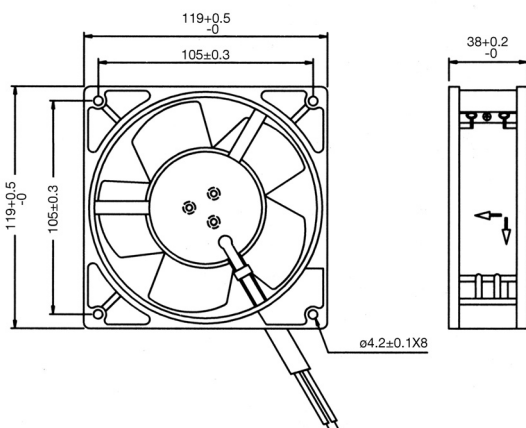


- Construction:
 - Die-cast aluminum housing
 - Metal impeller or Glass fiber reinforced plastic: Impeller are UL 94V-0 rating
 - Shaded pole motor
 - Impedance protected
 - Leader wire or terminal is available
- Operating temperature:
 - Ball bearing -30 °C to +75 °C
 - Sleeve bearing -10 °C to +70 °C
- Weight: 600 grams

Model No.	Bearing	Rated Voltage	Frequency	Max. Rated Current	Max. Input Power	Speed	Max. Air Flow		Max. Air Pressure		Noise
		VAC	Hz	mA	W	R.P.M.	m³/min	CFM	mmH ₂ O	IN H ₂ O	dB-A
4E-115B-17	Ball	115	50/60	210/200	21/19	1600/1700	1.48/1.65	52.3/58.4	2.40/2.70	0.09/0.10	25/30
4E-115S-17	Sleeve										
4E-230B-17	Ball	230	50/60	120/110	19/18	1600/1700	1.48/1.65	52.3/58.4	2.40/2.70	0.09/0.10	27/32
4E-230S-17	Sleeve										
4E-115B-21	Ball	115	50/60	230/220	22/20	1800/2100	1.70/1.84	60/65	5.23/6.10	0.17/0.20	36/38
4E-115S-21	Sleeve										
4E-230B-21	Ball	230	50/60	130/120	20/19	1800/2100	1.70/1.84	60/65	5.23/6.10	0.17/0.20	36/38
4E-230S-21	Sleeve										
4E-115B-25	Ball	115	50/60	240/230	23/21	2250/2500	1.98/2.21	70/78	6.54/7.26	0.26/0.29	38/42
4E-115S-25	Sleeve										
4E-230B-25	Ball	230	50/60	130/120	21/20	2250/2500	1.98/2.21	70/78	6.54/7.26	0.26/0.29	38/42
4E-230S-25	Sleeve										
4E-115B	Ball	115	50/60	250/240	24/22	2650/3000	2.33/2.71	82.4/95.6	6.70/7.40	0.26/0.29	41/45
4E-115S	Sleeve										
4E-230B	Ball	230	50/60	140/130	22/21	2650/3000	2.33/2.71	82.4/95.6	6.70/7.40	0.26/0.29	41/45
4E-230S	Sleeve										
4E-DVB	Ball	230/115	50/60	130/250	22/21	2650/3000	2.41/2.69	85/95	7.70/8.72	0.26/0.29	41/45
4E-DVS	Sleeve										
*4E-DVB-1(S)	Ball	100/200	50/60	200/120	20/24	2500/2800	2.06/2.29	73/81	5.30/5.00	0.21/0.19	37/41
*4E-DVS-1(S)	Sleeve										

Remark: *represent chemical protection

Dimensions (mm)



Performance Curve

