



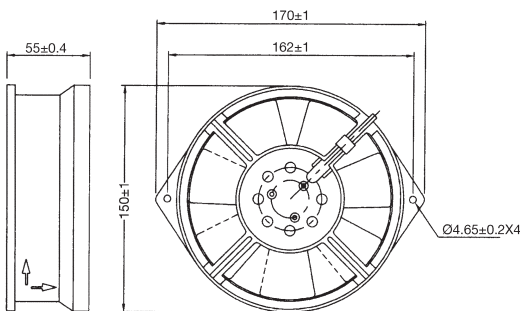
AC COOLING FAN 5E
170x150x55 mm



- Construction:
 - Die-cast aluminum housing
 - Metal impeller or Glass fiber reinforced plastic: Impeller are UL 94V-0 rating
 - Shaded pole motor
 - Impedance protected
 - Leader wire available
- Operating temperature: Ball bearing -30 °C to +75 °C
- Weight: 1000 grams

Model No.	Bearing	Rated Voltage	Frequency	Max. Rated Current	Max. Input Power	Speed	Max. Air Flow		Max. Air Pressure		Noise
		VAC	Hz	mA	W		R.P.M.	m³/min	CFM	mmH ₂ O	
5E-200B	Ball	200	50/60	300/280	46/44	2700/3000	4.92/5.21	174/184	10.17/10.23	0.40/0.41	50/53
5E-115B	Ball	115	50/60	640/540	48/46	2750/3100	5.66/6.79	200/240	12.30/13.70	0.48/0.54	50/53
5E-230B	Ball	230	50/60	300/280	46/44	2750/3100	5.66/6.79	200/240	12.30/13.70	0.48/0.54	50/53
5E-DVB	Ball	230/115	50/60	310/640	45/47	2750/3100	5.66/6.79	200/240	12.30/13.70	0.48/0.54	50/53
5P-115B	Ball	115	50/60	640/540	48/42	2850/3400	5.38/6.51	190/230	12.30/13.70	0.48/0.54	50/53
5P-230B	Ball	230	50/60	280/240	46/40	2850/3400	5.38/6.51	190/230	12.30/13.70	0.48/0.54	50/53
5E-DVB-1	Ball	200/100	50/60	330/620	45/50	2800/3000	5.66/6.79	200/240	12.30/13.70	0.48/0.54	50/53

Dimensions (mm)



Performance Curve

