

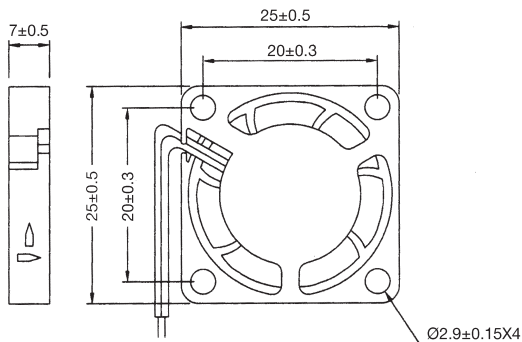
DC COOLING FAN 2507
25x25x7 mm



- Construction:
 - Glass fiber reinforced plastic: impeller and housing PBT are UL 94V-0 rating
- Operating temperature: Ball bearing -30 °C to +75 °C
- Insulation Resistance: 10 meg Ohm min. at 500 VDC (between frame and terminal)
- Dielectric Strength: 5 mA max. at 500 VAC 60Hz one minute (between frame and terminal)
- Weight: 5 grams

Model No.	Bearing	Rated Voltage	Operating Voltage Range	Rated Current	Rated Input Power	Speed	Max. Air Flow		Max. Air Pressure		Noise
		VDC	V	A	W		m ³ /min	CFM	mmH ₂ O	IN H ₂ O	
BP250705H	Ball	5	4.5-5.7	0.08	0.40	12000	0.06	2.12	2.17	0.085	31
BP250712H	Ball	12	10.2-13.8	0.08	0.96	16000	0.08	2.83	2.89	0.113	41

Dimensions (mm)



Performance Curve

