

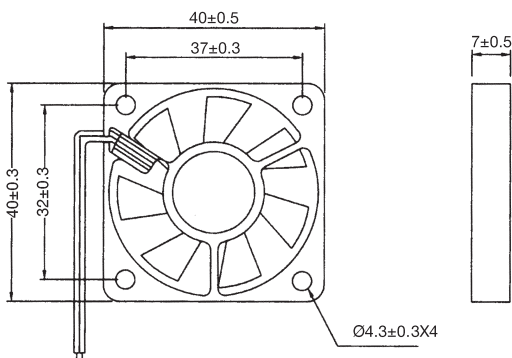
DC COOLING FAN 4007
40x40x7mm



- Construction:
 - Glass fiber reinforced plastic: impeller and housing PBT are UL 94V-0 rating
- Operating temperature: Ball bearing -30 °C to +75 °C
- Insulation Resistance: 10 meg Ohm min. at 500 VDC (between frame and terminal)
- Dielectric Strength: 5 mA max. at 500 VAC 60Hz one minute (between frame and terminal)
- Weight: 8 grams

Model No.	Bearing	Rated Voltage	Operating Voltage Range	Rated Current	Rated Input Power	Speed	Max. Air Flow		Max. Air Pressure		Noise
		VDC	V	A	W		m ³ /min	CFM	mmH ₂ O	IN H ₂ O	
BP400705M	Ball	5	4.5-5.7	0.12	0.60	5500	0.117	4.16	1.14	0.045	22
BP400705H	Ball	5	4.5-5.7	0.15	0.75	6500	0.167	6.70	2.70	0.084	28
BP400712H	Ball	12	10.2-13.8	0.15	1.80	7500	0.173	6.91	2.79	0.087	29

Dimensions (mm)



Performance Curve

