

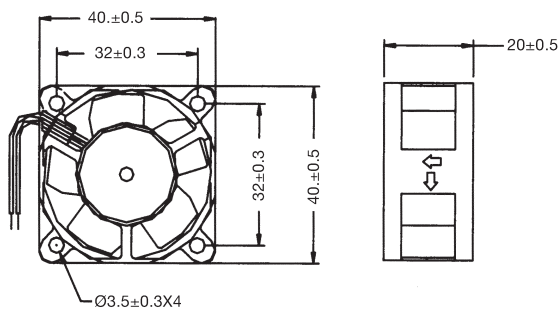
DC COOLING FAN 4020
40x40x20 mm



- Construction:
 - Glass fiber reinforced plastic: impeller and housing PBT are UL 94V-0 rating
- Operating temperature:
 - Ball bearing -30 °C to +75 °C
 - Sleeve bearing -10 °C to +70 °C
- Insulation Resistance: 10 meg Ohm min. at 500 VDC (between frame and terminal)
- Dielectric Strength: 5 mA max. at 500 VAC 60Hz one minute (between frame and terminal)
- Function: frequency generator signal option
- Weight: 40 grams

Model No.	Bearing	Rated Voltage	Operating Voltage Range	Rated Current	Rated Input Power	Speed	Max. Air Flow		Max. Air Pressure		Noise
		VDC	V	A	W		m³/min	CFM	mmH ₂ O	IN H ₂ O	
BP402012L	Ball	12	10.2-13.8	0.08	0.96	5000	0.170	6	2.8	0.110	22
SP402012L	Sleeve										
BS402012L	Ball&Sleeve										
BP402024L	Ball	24	20.4-27.6	0.10	2.4	5000	0.170	6	2.8	0.110	22
SP402024L	Sleeve										
BS402024L	Ball&Sleeve										
BP402012M	Ball	12	10.2-13.8	0.10	1.2	6000	0.200	7.09	3.91	0.154	26.4
SP402012M	Sleeve										
BS402012M	Ball&Sleeve										
BP402024M	Ball	24	20.4-27.6	0.13	3.12	6000	0.200	7.09	3.91	0.154	26.4
SP402024M	Sleeve										
BS402024M	Ball&Sleeve										
BP402012H	Ball	12	10.2-13.8	0.16	1.92	7000	0.242	8.53	5.31	0.209	31
SP402012H	Sleeve										
BS402012H	Ball&Sleeve										
BP402024H	Ball	24	20.4-27.6	0.18	4.32	7000	0.242	8.53	5.31	0.209	31
SP402024H	Sleeve										
BS402024H	Ball&Sleeve										

Dimensions (mm)



Performance Curve

