



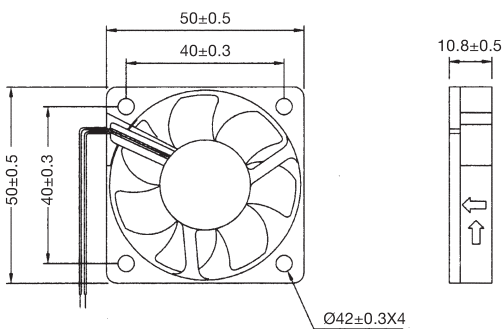
DC COOLING FAN 5010
50x50x10 mm



- Construction:
 - Glass fiber reinforced plastic: impeller and housing PBT are UL 94V-0 rating
- Operating temperature:
 - Ball bearing -30 °C to +75 °C
 - Sleeve bearing -10 °C to +70 °C
- Insulation Resistance: 10 meg Ohm min. at 500 VDC (between frame and terminal)
- Dielectric Strength: 5 mA max. at 500 VAC 60Hz one minute (between frame and terminal)
- Function: frequency generator signal option
- Weight: 20 grams

Model No.	Bearing	Rated Voltage	Operating Voltage Range	Rated Current	Rated Input Power	Speed R.P.M.	Max. Air Flow		Max. Air Pressure		Noise dB-A
		VDC	V	A	W		m³/min	CFM	mmH₂O	IN H₂O	
BP501012L	Ball	12	10.2-13.8	0.07	0.84	3500	0.212	7.49	1.20	0.047	20
SP501012L	Sleeve										
BS501012L	Ball&Sleeve										
BP501012M	Ball	12	10.2-13.8	0.10	1.20	4000	0.249	8.79	1.46	0.057	29
SP501012M	Sleeve										
BS501012M	Ball&Sleeve										
BP501012H	Ball	12	10.2-13.80	0.16	1.92	5500	0.345	12.21	2.54	0.099	32
SP501012H	Sleeve										
BS501012H	Ball&Sleeve										

Dimensions (mm)



Performance Curve

