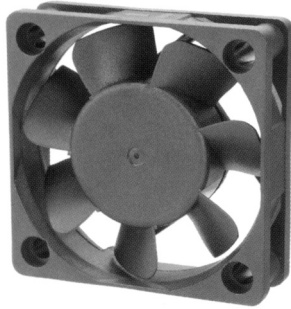


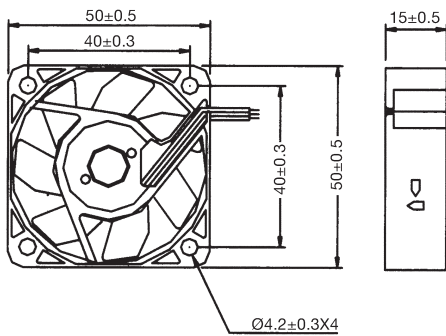
**DC COOLING FAN 5015**  
50x50x15 mm



- Construction:
  - Glass fiber reinforced plastic: impeller and housing PBT are UL 94V-0 rating
- Operating temperature:
  - Ball bearing -30 °C to +75 °C
  - Sleeve bearing -10 °C to +70 °C
- Insulation Resistance: 10 meg Ohm min. at 500 VDC (between frame and terminal)
- Dielectric Strength: 5 mA max. at 500 VAC 60Hz one minute (between frame and terminal)
- Function: frequency generator signal option
- Weight: 30 grams

Model No.	Bearing	Rated Voltage	Operating Voltage Range	Rated Current	Rated Input Power	Speed	Max. Air Flow		Max. Air Pressure		Noise
		VDC	V	A	W		m <sup>3</sup> /min	CFM	mmH <sub>2</sub> O	IN H <sub>2</sub> O	
BP501512M	Ball	12	10.2-13.8	0.15	1.80	5600	0.45	15.75	5.16	0.20	35.3
SP501512M	Sleeve										
BS501512M	Ball&Sleeve										
BP501512H	Ball	12	10.2-13.8	0.19	2.28	6300	0.49	17.22	5.93	0.23	37.85
SP501512H	Sleeve										
BS501512H	Ball&Sleeve										

**Dimensions (mm)**



**Performance Curve**

