



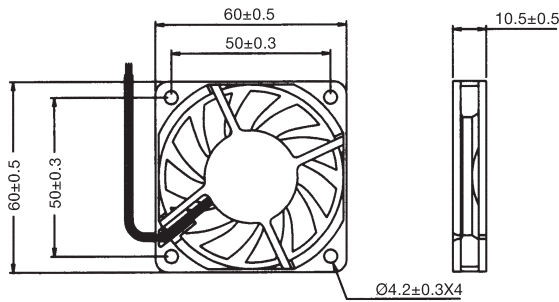
**DC COOLING FAN 6010**  
60x60x10 mm



- Construction:
  - Glass fiber reinforced plastic: impeller and housing PBT are UL 94V-0 rating
- Operating temperature:
  - Ball bearing -30 °C to +75 °C
  - Sleeve bearing -10 °C to +70 °C
- Insulation Resistance: 10 meg Ohm min. at 500 VDC (between frame and terminal)
- Dielectric Strength: 5 mA max. at 500 VAC 60Hz one minute (between frame and terminal)
- Function: frequency generator signal option
- Weight: 30 grams

Model No.	Bearing	Rated Voltage	Operating Voltage Range	Rated Current	Rated Input Power	Speed R.P.M.	Max. Air Flow		Max. Air Pressure		Noise dB-A
		VDC	V	A	W		m³/min	CFM	mmH <sub>2</sub> O	IN H <sub>2</sub> O	
BP601012M	Ball	12	10.2-13.8	0.16	1.92	4200	0.59	20.70	2.84	0.112	35
SP601012M	Sleeve										
BS601012M	Ball&Sleeve										
BP601012H	Ball	12	10.2-13.8	0.21	2.52	4700	0.66	23.30	3.30	0.130	36.8
SP601012H	Sleeve										
BS601012H	Ball&Sleeve										

**Dimensions (mm)**



**Performance Curve**

