

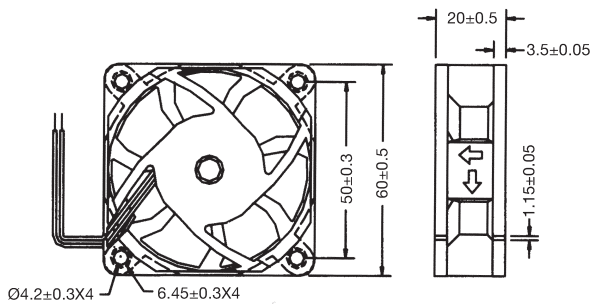
DC COOLING FAN 6020
60x60x20 mm



- Construction:
 - Glass fiber reinforced plastic: impeller and housing PBT are UL 94V-0 rating
- Operating temperature:
 - Ball bearing -30 °C to +75 °C
 - Sleeve bearing -10 °C to +70 °C
- Insulation Resistance: 10 meg Ohm min. at 500 VDC (between frame and terminal)
- Dielectric Strength: 5 mA max. at 500 VAC 60Hz one minute (between frame and terminal)
- Function: frequency generator signal option
- Weight: 55 grams

Model No.	Bearing	Rated Voltage	Operating Voltage Range	Rated Current	Rated Input Power	Speed R.P.M.	Max. Air Flow		Max. Air Pressure		Noise dB-A
		VDC	V	A	W		m³/min	CFM	mmH ₂ O	IN H ₂ O	
BP602012L SP602012L BS602012L	Ball Sleeve Ball&Sleeve	12	10.2-13.8	0.12	1.44	3000	0.39	13.8	2.29	0.09	23.39
BP602012M SP602012M BS602012M	Ball Sleeve Ball&Sleeve	12	10.2-13.8	0.15	1.80	3600	0.49	17.3	3.44	0.14	26.16
BP602012H SP602012H BS602012H	Ball Sleeve Ball&Sleeve	12	10.2-13.8	0.18	2.16	4200	0.57	20.3	4.57	0.18	30.43
BP602012HH SP602012HH BS602012HH	Ball Sleeve Ball&Sleeve	12	10.2-13.8	0.25	3.0	4800	0.66	23.4	5.73	0.23	35.53

Dimensions (mm)



Performance Curve

