



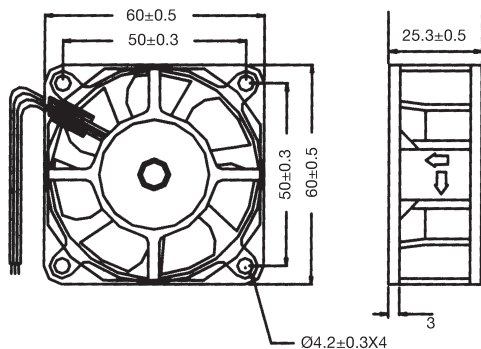
**DC COOLING FAN 6025-03 (SUPER)**  
60x60x25 mm



- Construction:
  - Glass fiber reinforced plastic: impeller and housing PBT are UL 94V-0 rating
- Operating temperature:
  - Ball bearing -30 °C to +75 °C
  - Sleeve bearing -10 °C to +70 °C
- Insulation Resistance: 10 meg Ohm min. at 500 VDC (between frame and terminal)
- Dielectric Strength: 5 mA max. at 500 VAC 60Hz one minute (between frame and terminal)
- Function: auto-restart option, frequency generator or rotation detection signal option
- Weight: 75 grams

Model No.	Bearing	Rated Voltage	Operating Voltage Range	Rated Current	Rated Input Power	Speed R.P.M.	Max. Air Flow		Max. Air Pressure		Noise dB-A
		VDC	V	A	W		m³/min	CFM	mmH <sub>2</sub> O	IN H <sub>2</sub> O	
BP602512HL-03 SP602512HL-03 BS602512HL-03	Ball Sleeve Ball&Sleeve	12	10.2-13.8	0.23	2.76	5000	0.78	27.4	7.25	0.29	37.8
BP602512HM-03 SP602512HM-03 BS602512HM-03	Ball Sleeve Ball&Sleeve	12	10.2-13.8	0.34	4.08	6000	0.94	33.2	10.3	0.40	42.4
BP602512HH-03 SP602512HH-03 BS602512HH-03	Ball Sleeve Ball&Sleeve	12	10.2-13.8	0.39	4.68	7000	1.09	38.4	13.4	0.527	46.7
BP602524HL-03 SP602524HL-03 BS602524HL-03	Ball Sleeve Ball&Sleeve	24	20.4-27.6	0.13	3.12	5000	0.78	27.4	7.25	0.29	37.8
BP602524HM-03 SP602524HM-03 BS602524HM-03	Ball Sleeve Ball&Sleeve	24	20.4-27.6	0.18	4.32	6000	0.94	33.2	10.3	0.40	42.4
BP602524HH-03 SP602524HH-03 BS602524HH-03	Ball Sleeve Ball&Sleeve	24	20.4-27.6	0.22	5.28	7000	1.09	38.4	13.4	0.527	46.7

**Dimensions (mm)**



**Performance Curve**

