



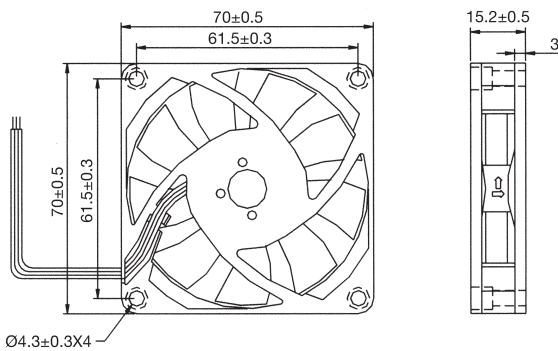
DC COOLING FAN 7015-03
70x70x15 mm



- Construction:
 - Glass fiber reinforced plastic: impeller and housing PBT are UL 94V-0 rating
- Operating temperature:
 - Ball bearing -30 °C to +75 °C
 - Sleeve bearing -10 °C to +70 °C
- Insulation Resistance: 10 meg Ohm min. at 500 VDC (between frame and terminal)
- Dielectric Strength: 5 mA max. at 500 VAC 60Hz one minute (between frame and terminal)
- Function: auto-restart option, frequency generator signal option
- Weight: 51 grams

Model No.	Bearing	Rated Voltage	Operating Voltage Range	Rated Current	Rated Input Power	Speed R.P.M.	Max. Air Flow		Max. Air Pressure		Noise dB-A
		VDC	V	A	W		m³/min	CFM	mmH ₂ O	IN H ₂ O	
BP701512M-03 SP701512M-03 BS701512M-03	Ball Sleeve Ball&Sleeve	12	10.2-13.8	0.24	2.88	3800	0.88	31.18	3.67	0.14	34
BP701512H-03 SP701512H-03 BS701512H-03	Ball Sleeve Ball&Sleeve	12	10.2-13.8	0.28	3.36	4200	0.97	34.28	4.37	0.17	38
BP701512HH-03 SP701512HH-03 BS701512HH-03	Ball Sleeve Ball&Sleeve	12	10.2-13.8	0.34	4.08	4500	1.05	37.1	5.00	0.20	39.4

Dimensions (mm)



Performance Curve

