

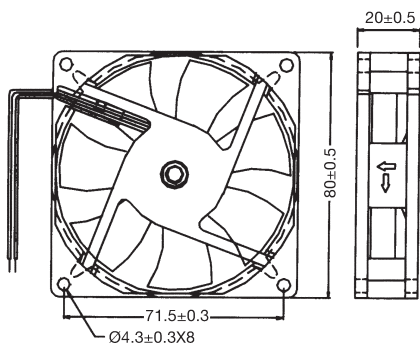
DC COOLING FAN 8020
80x80x20 mm



- Construction:
 - Glass fiber reinforced plastic: impeller and housing PBT are UL 94V-0 rating
- Operating temperature:
 - Ball bearing -30 °C to +75 °C
 - Sleeve bearing -10 °C to +70 °C
- Insulation Resistance: 10 meg Ohm min. at 500 VDC (between frame and terminal)
- Dielectric Strength: 5 mA max. at 500 VAC 60Hz one minute (between frame and terminal)
- Function: auto-restart option, frequency generator signal option
- Weight: 75 grams

Model No.	Bearing	Rated Voltage	Operating Voltage Range	Rated Current	Rated Input Power	Speed	Max. Air Flow		Max. Air Pressure		Noise
		VDC	V	A	W	R.P.M.	m³/min	CFM	mmH ₂ O	IN H ₂ O	dB-A
BP802012L SP802012L BS802012L	Ball Sleeve Ball&Sleeve	12	10.2-13.8	0.11	1.32	2100	0.77	27.1	1.5	0.06	22.6
BP802012M SP802012M BS802012M	Ball Sleeve Ball&Sleeve	12	10.2-13.8	0.16	1.92	2700	0.98	34.8	2.4	0.09	29.5
BP802012H SP802012H BS802012H	Ball Sleeve Ball&Sleeve	12	10.2-13.8	0.25	3.00	3300	1.19	42.2	3.6	0.14	35.4
BP802012HL SP802012HL BS802012HL	Ball Sleeve Ball&Sleeve	12	10.2-13.8	0.35	4.20	3800	1.39	49.2	4.7	0.19	38.6

Dimensions (mm)



Performance Curve

