

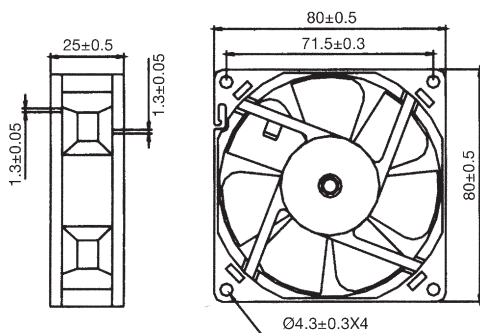
**DC COOLING FAN 8025-03**  
80x80x25 mm



- Construction:
  - Glass fiber reinforced plastic: impeller and housing PBT are UL 94V-0 rating
- Operating temperature:
  - Ball bearing -30 °C to +75 °C
  - Sleeve bearing -10 °C to +70 °C
- Insulation Resistance: 10 meg Ohm min. at 500 VDC (between frame and terminal)
- Dielectric Strength: 5 mA max. at 500 VAC 60Hz one minute (between frame and terminal)
- Function: auto-restart option, frequency generator or rotation detection signal option
- Weight: 85 grams

Model No.	Bearing	Rated Voltage	Operating Voltage Range	Rated Current	Rated Input Power	Speed	Max. Air Flow		Max. Air Pressure		Noise
		VDC	V	A	W	R.P.M.	m <sup>3</sup> /min	CFM	mmH <sub>2</sub> O	IN H <sub>2</sub> O	
BP802512L-03 SP802512L-03 BS802512L-03	Ball Sleeve Ball&Sleeve	12	10.2-13.8	0.15	1.8	2100	0.85	30	2.18	0.086	23.7
BP802512M-03 SP802512M-03 BS802512M-03	Ball Sleeve Ball&Sleeve	12	10.2-13.8	0.2	2.4	2700	1.05	37	3.24	0.127	29.8
BP802512H-03 SP802512H-03 BS802512H-03	Ball Sleeve Ball&Sleeve	12	10.2-13.8	0.3	3.6	3300	1.25	44	4.54	0.179	35.6
BP802512HL-03 SP802512HL-03 BS802512HL-03	Ball Sleeve Ball&Sleeve	12	10.2-13.8	0.4	4.8	4000	1.57	55.53	7.38	0.29	40.9
BP802524L-03 SP802524L-03 BS802524L-03	Ball Sleeve Ball&Sleeve	24	20.4-27.6	0.12	2.88	2100	0.85	30	2.18	0.086	23.7
BP802524M-03 SP802524M-03 BS802524M-03	Ball Sleeve Ball&Sleeve	24	20.4-27.6	0.17	4.80	2700	1.05	37	3.24	0.127	29.8
BP802524H-03 SP802524H-03 BS802524H-03	Ball Sleeve Ball&Sleeve	24	20.4-27.6	0.21	5.04	3300	1.25	44	4.54	0.179	35.6
BP802524HL-03 SP802524HL-03 BS802524HL-03	Ball Sleeve Ball&Sleeve	24	20.4-27.6	0.25	6.00	4000	1.57	55.53	7.38	0.29	40.9

**Dimensions (mm)**



**Performance Curve**

