



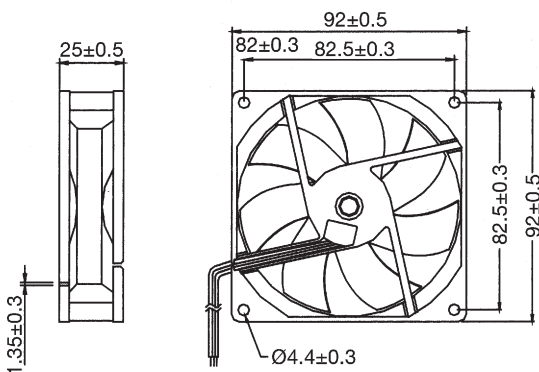
DC COOLING FAN 9225-02
92x92x25 mm



- Construction:
 - Glass fiber reinforced plastic: impeller and housing PBT are UL 94V-0 rating
- Operating temperature:
 - Ball bearing -30 °C to +75 °C
 - Sleeve bearing -10 °C to +70 °C
- Insulation Resistance: 10 meg Ohm min. at 500 VDC (between frame and terminal)
- Dielectric Strength: 5 mA max. at 500 VAC 60Hz one minute (between frame and terminal)
- Function: auto-restart option; frequency generator or rotation detection signal option
- Weight: 120 grams

Model No.	Bearing	Rated Voltage	Operating Voltage Range	Rated Current	Rated Input Power	Speed R.P.M.	Max. Air Flow		Max. Air Pressure		Noise dB-A
		VDC	V	A	W		m³/min	CFM	mmH ₂ O	IN H ₂ O	
BP922512L-02 SP922512L-02 BS922512L-02	Ball Sleeve Ball&Sleeve	12	10.2-13.8	0.16	1.92	2000	1.20	42.50	1.86	0.073	30.3
BP922512M-02 SP922512M-02 BS922512M-02	Ball Sleeve Ball&Sleeve	12	10.2-13.8	0.20	2.40	2500	1.51	53.30	2.86	0.113	36
BP922512H-02 SP922512H-02 BS922512H-02	Ball Sleeve Ball&Sleeve	12	10.2-13.8	0.32	3.84	3000	1.80	63.50	4.31	0.170	40.3

Dimensions (mm)



Performance Curve

