

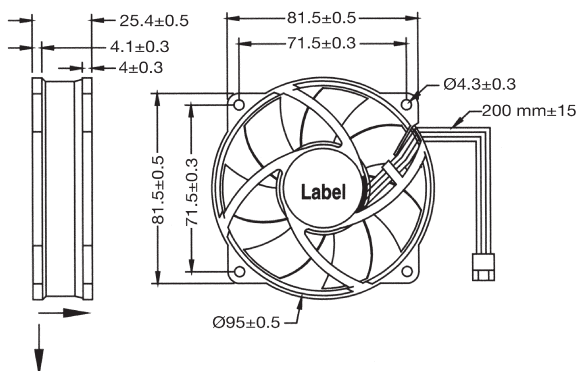
DC COOLING FAN 9225-03
92x92x25 mm



- Construction:
 - Glass fiber reinforced plastic: impeller and housing PBT are UL 94V-0 rating
- Operating temperature:
 - Ball bearing -30 °C to +75 °C
 - Sleeve bearing -10 °C to +70 °C
- Insulation Resistance: 10 meg Ohm min. at 500 VDC (between frame and terminal)
- Dielectric Strength: 5 mA max. at 500 VAC 60Hz one minute (between frame and terminal)
- Function: auto-restart, frequency generator or rotation detection signal option
- Weight: 120 grams

Model No.	Bearing	Rated Voltage	Operating Voltage Range	Rated Current	Rated Input Power	Speed R.P.M.	Max. Air Flow		Max. Air Pressure		Noise dB-A
		VDC	V	A	W		m ³ /min	CFM	mmH ₂ O	IN H ₂ O	
BP922512L-03 SP922512L-03	Ball Sleeve	12	10.2-13.8	0.16	1.92	2000	1.11	39.30	2.1	0.083	28.8
BP922512M-03 SP922512M-03	Ball Sleeve	12	10.2-13.8	0.20	2.40	2500	1.40	49.40	2.93	0.115	35.6
BP922512H-03 SP922512H-03	Ball Sleeve	12	10.2-13.8	0.32	3.84	3000	1.67	58.90	4.36	0.172	39
BP922512HH-03 SP922512HH-03	Ball Sleeve	12	10.2-13.8	0.50	6.00	4000	2.06	72.70	6.8	0.270	46

Dimensions (mm)



Performance Curve

