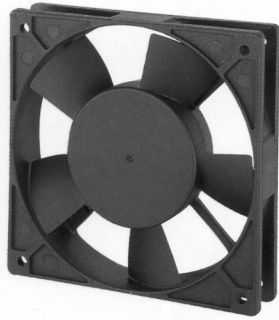


DC COOLING FAN 12025
120x120x25 mm

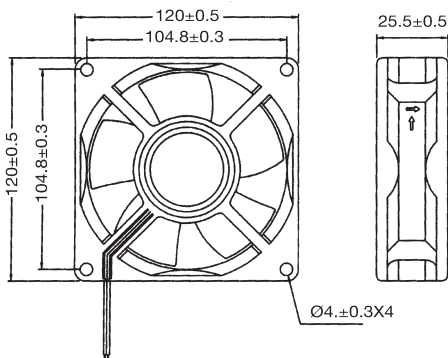


Construction:

- Glass fiber reinforced plastic: impeller and housing PBT are UL 94V-0 rating
- Operating temperature:
 - Ball bearing -30 °C to +75 °C
 - Sleeve bearing -10 °C to +70 °C
- Insulation Resistance: 10 meg Ohm min. at 500 VDC (between frame and terminal)
- Dielectric Strength: 5 mA max. at 500 VAC 60Hz one minute (between frame and terminal)
- Function: auto-restart option, frequency generator or rotation detection signal option
- Weight: 150 grams

Model No.	Bearing	Rated Voltage	Operating Voltage Range	Rated Current	Rated Input Power	Speed R.P.M.	Max. Air Flow		Max. Air Pressure		Noise dB-A
		VDC	V	A	W		m³/min	CFM	mmH ₂ O	IN H ₂ O	
BP1202512L	Ball	12	10.2-13.8	0.14	1.68	2000	1.738	61.40	2.90	0.114	38
SP1202512L	Sleeve										
BP1202524L	Ball	24	20.4-27.6	0.10	2.40	2000	1.738	61.40	2.90	0.114	38
SP1202524L	Sleeve										
BP1202512M	Ball	12	10.2-13.8	0.25	3.00	2500	2.108	74.50	3.80	0.150	43.84
SP1202512M	Sleeve										
BP1202524M	Ball	24	20.4-27.6	0.18	4.32	2500	2.108	74.50	3.80	0.150	43.84
SP1202524M	Sleeve										
BP1202512H	Ball	12	10.2-13.8	0.38	4.56	3000	2.499	88.30	4.80	0.189	48.32
SP1202512H	Sleeve										
BP1202524H	Ball	24	20.4-27.6	0.24	5.76	3000	2.499	88.30	4.80	0.189	48.32
SP1202524H	Sleeve										

Dimensions (mm)



Performance Curve

