

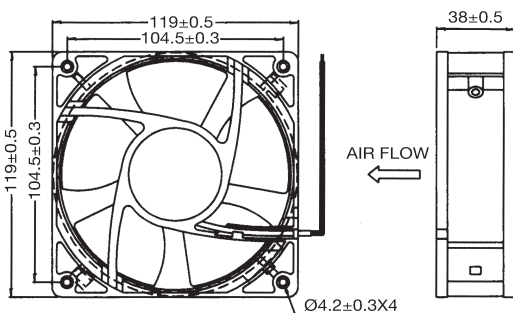
**DC COOLING FAN 12038**  
120x120x38 mm



- Construction:
  - Die-cast aluminum housing
  - Glass fiber reinforced plastic: impeller and housing PBT are UL 94V-0 rating
- Operating temperature:
  - Ball bearing -30 °C to +75 °C
  - Sleeve bearing -10 °C to +70 °C
- Insulation Resistance: 10 meg Ohm min. at 500 VDC (between frame and terminal)
- Dielectric Strength: 5 mA max. at 500 VAC 60Hz one minute (between frame and terminal)
- Function: frequency generator signal option
- Weight: 350 grams

Model No.	Bearing	Rated Voltage	Operating Voltage Range	Rated Current	Rated Input Power	Speed	Max. Air Flow		Max. Air Pressure		Noise
		VDC	V	A	W		m³/min	CFM	mmH <sub>2</sub> O	IN H <sub>2</sub> O	
BP1203812M	Ball	12	10.2-13.8	0.22	2.64	2500	2.009	66.83	3.89	0.153	40
SP1203812M	Sleeve										
BP1203824M	Ball	24	20.4-27.6	0.14	3.36	2500	2.009	66.83	3.89	0.153	40
SP1203824M	Sleeve										
BP1203848M	Ball	48	40.8-55.2	0.12	5.76	2500	2.009	66.83	3.89	0.153	40
SP1203848M	Sleeve										
BP1203812H	Ball	12	10.2-13.8	0.32	3.84	3000	2.405	85.00	5.85	0.230	48
SP1203812H	Sleeve										
BP1203824H	Ball	24	20.4-27.6	0.18	4.32	3000	2.405	85.00	5.85	0.230	48
SP1203824H	Sleeve										
BP1203848H	Ball	48	40.8-55.2	0.13	6.24	3000	2.405	85.00	5.85	0.230	48
SP1203848H	Sleeve										

**Dimensions (mm)**



**Performance Curve**

