



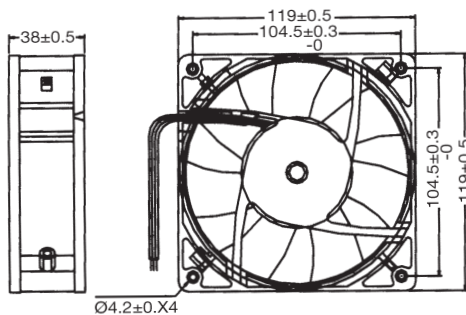
DC COOLING FAN 12038-03
120x120x38 mm



- Construction:
 - Die-cast aluminum housing
 - Glass fiber reinforced plastic: impeller and housing PBT are UL 94V-0 rating
- Operating temperature:
 - Ball bearing -30 °C to +75 °C
 - Sleeve bearing -10 °C to +70 °C
- Insulation Resistance: 10 meg Ohm min. at 500 VDC (between frame and terminal)
- Dielectric Strength: 5 mA max. at 500 VAC 60Hz one minute (between frame and terminal)
- Function: auto-restart, frequency generator or rotation detection signal option, relay control option
- Weight: 420 grams

Model No.	Bearing	Rated Voltage	Operating Voltage Range	Rated Current	Rated Input Power	Speed R.P.M.	Max. Air Flow		Max. Air Pressure		Noise dB-A
		VDC	V	A	W		m³/min	CFM	mmH ₂ O	IN H ₂ O	
BP1203812M-03	Ball	12	10.2-13.8	1.00	12.00	2400	3.43	121.00	5.60	0.22	46
SP1203812M-03	Sleeve										
BP1203824M-03	Ball	24	20.4-27.6	0.60	14.40	2400	3.43	121.00	5.60	0.22	46
SP1203824M-03	Sleeve										
BP1203848M-03	Ball	48	40.8-55.2	0.18	8.64	2400	3.43	121.00	5.60	0.22	46
SP1203848M-03	Sleeve										
BP1203812H-03	Ball	12	10.2-13.8	1.10	13.20	2900	4.11	145.00	7.30	0.29	48
SP1203812H-03	Sleeve										
BP1203824H-03	Ball	24	20.4-27.6	0.80	19.20	2900	4.11	145.00	7.30	0.29	48
SP1203824H-03	Sleeve										
BP1203848H-03	Ball	48	40.8-55.2	0.40	19.20	2900	4.11	145.00	7.30	0.29	48
SP1203848H-03	Sleeve										
BP1203812HH-03	Ball	12	10.2-13.8	1.80	21.60	3400	4.76	168.00	10.81	0.43	50
SP1203812HH-03	Sleeve										
BP1203824HH-03	Ball	24	20.4-27.6	1.10	26.40	3400	4.76	168.00	10.81	0.43	50
SP1203824HH-03	Sleeve										
BP1203848HH-03	Ball	48	40.8-55.2	0.50	24.00	3400	4.76	168.00	10.81	0.43	50
SP1203848HH-03	Sleeve										

Dimensions (mm)



Performance Curve

