

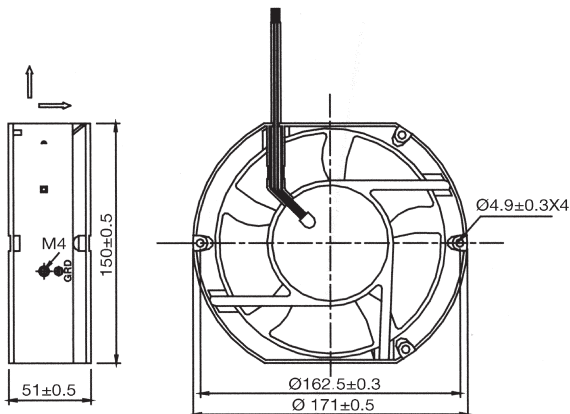
**DC COOLING FAN 17251  
ELLIPSE FRAME  
172x150x51 mm**



- Construction:
  - Glass fiber reinforced plastic: impeller and housing PBT are UL 94V-0 rating
- Operating temperature:
  - Ball bearing -30 °C to +75 °C
  - Sleeve bearing -10 °C to +70 °C
- Insulation Resistance: 10 meg Ohm min. at 500 VDC (between frame and terminal)
- Dielectric Strength: 5 mA max. at 500 VAC 60Hz one minute (between frame and terminal)
- Function: auto-restart, frequency generator or rotation detection signal option
- Weight: 730 grams

Model No.	Bearing	Rated Voltage	Operating Voltage Range	Rated Current	Rated Input Power	Speed	Max. Air Flow		Max. Air Pressure		Noise
		VDC	V	A	W		m <sup>3</sup> /min	CFM	mmH <sub>2</sub> O	IN H <sub>2</sub> O	
BP1725124H	Ball	24	12-27.6	0.8	19.2	3400	6.65	235.1	16.9	0.66	59.6
BP1725124M	Ball	24	12-27.6	0.6	14.4	2900	5.69	201.8	13.9	0.54	55.8
BP1725124L	Ball	24	12-27.6	0.45	10.8	2400	5.04	159.7	9.6	0.38	51
BP1725148H	Ball	48	25-60	0.4	19.2	3400	6.65	235.1	16.9	0.66	59.6
BP1725148M	Ball	48	25-60	0.35	16.8	2900	5.69	201.8	13.9	0.54	55.8
BP1725148L	Ball	48	25-60	0.25	12	2400	5.04	159.7	9.6	0.38	51

**Dimensions (mm)**



**Performance Curve**

