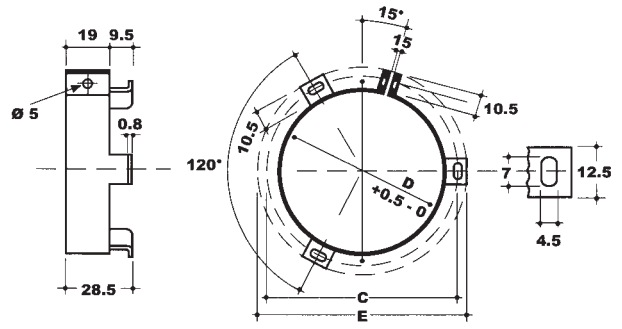
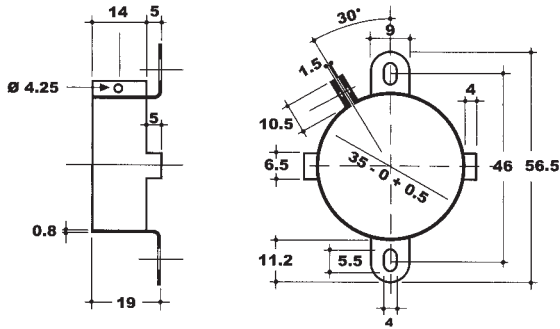


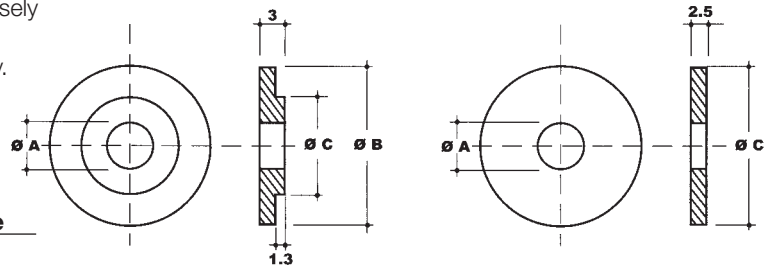
**Rings Clips, Hex Nuts, Washers**

Ordering Code 1635000  
STANDARD

STANDARD	D	C	E	Ordering code
	50.8	63.5	73.4	1650000
	63.5	76.0	86.1	1664000
	76.0	89.0	98.6	1676000



INSULATED MOUNTING WITH HEX NUT  
Hex Nut and spring washers are delivered loosely with the capacitor.  
Insulating washers shall be ordered separately.



M	A	B	C	Ordering code
8	8.4	25	18.5	130001
12	12.5	35	18.5	130002

**Case size table with dimensions code**

		A	B	C	D	E	F	G	H	J	L	M	N	P	R	S	X
Length (mm)		25	30	35	40	45	50	51	60	79	105/97	120	130	143	150	222/230	Custom
Diameter Ø (mm)	A	20	AA														
	B	22	BA	BB	BD												
	C	25	CA	CB	CD	CF											
	D	30	DA	DB	DD	DF	DH										
	E	35	EA	EB	ED	EF	EG	EH	EJ	EL							
	F	40			FC	FF		FH	FJ	FL							
	G	51						GH	GJ	GL				GP			
	H	63						HH	HJ	HL			HN	HP			
	J	76							JJ	JL	JM	JN	JP	JR	JS		
	L	90								LJ						LS	