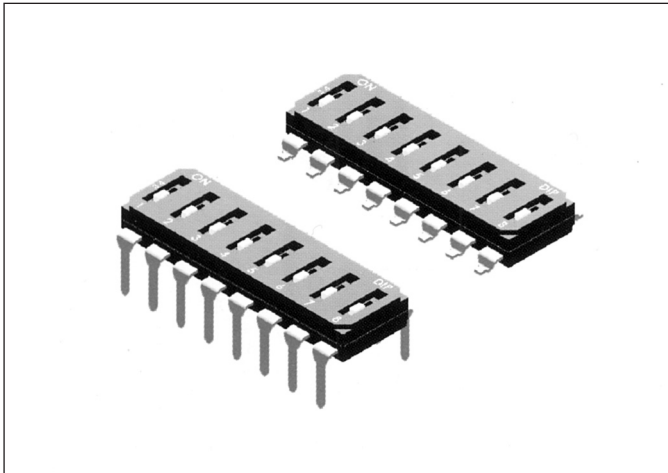


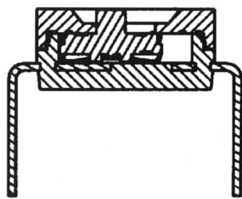
**EM(R) & EI(R) SERIES -
End Stackable/SMT & Through Hole Type**



CONTACT SYSTEM



EM(R) SERIES



EI(R) SERIES

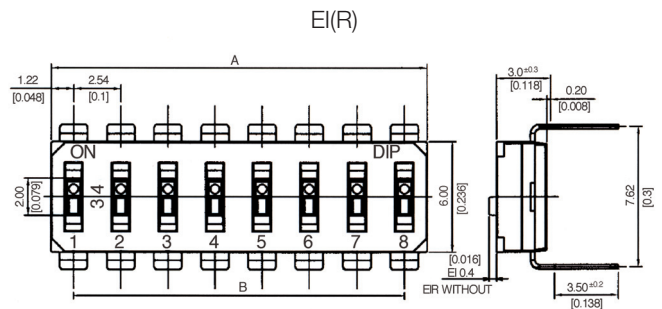
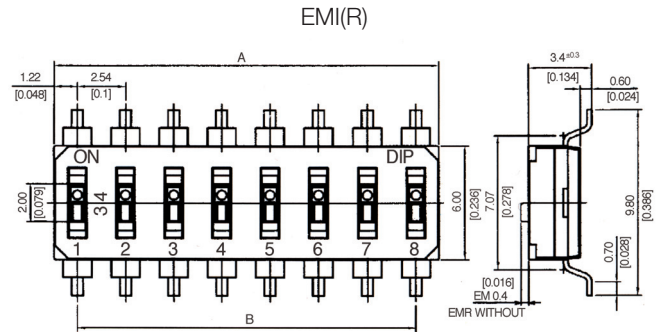
FEATURES

1. End stackable series can be used both individually and conjunctly. When applying the conjunction, the gap between switches is approx. 0.1 mm.
2. SMT and Through hole type are both available.
3. UL94V-O high-temp thermoplastic is used.
4. Top tape sealed type permits washing process.
5. Gold plating terminals provide high conductivity.

MATERIALS

- ▲ **BASE & COVER:** UL94V-O Nylon High-Temp. Thermoplastic.
Color: Black.
- ▲ **ACTUATOR:** UL94V-O High-Temp. Thermoplastic.
Color: White.
- ▲ **CONTACT:** Alloy Copper with gold plated.
- ▲ **TERMINAL:** Brass with gold plated.
- ▲ **TAPE:** Kapton.

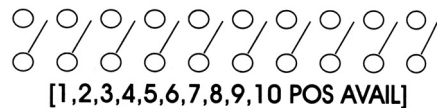
DIMENSIONS



MODELS

EM(R)-10	10	25.3(0.996)	22.86(.900)
EI(R)-10	10	25.3(0.996)	22.86(.900)
EM(R)-08	8	20.22(.796)	17.78(.700)
EI(R)-08	8	20.22(.796)	17.78(.700)
EM(R)-06	6	15.14(.596)	12.70(.500)
EI(R)-06	6	15.14(.596)	12.70(.500)
EM(R)-04	4	10.06(.396)	7.62(.300)
EI(R)-04	4	10.06(.396)	7.62(.300)
EM(R)-03	3	7.52(.296)	5.08(.200)
EI(R)-03	3	7.52(.296)	5.08(.200)
EM(R)-02	2	4.96(.196)	2.54(.100)
EI(R)-02	2	4.96(.196)	2.54(.100)
Prod.No.	No. of Pos.	Dim. A	Dim. B

SCHEMATIC(TYP.)



General Tolerance: ± 0.2 mm (± 0.008")



SPECIFICATION

Mechanical

- Mechanical Life: 2000 operations.
- Operation Force: 1000 gf max.
- Stroke: 1.0 mm
- Operation Temp: -20 °C to 85 °C
- Storage Temp: -40 °C to 85 °C
- Vibration Test: MIL-STD-202F METHOD 201A.
Frequency: 10-55-10Hz/1 min.
Directions: X, Y, Z, three mutually perpendicular directions.
Time: 2 hours each direction.
High reliability.
- Shock Test: MIL-STD-202F METHOD 213 B.
CONDITION A.
Gravity: 50G (peak value), 11 msec.
Direction and times: 6 sides and 3 times in each direction.
High reliability.

Electrical

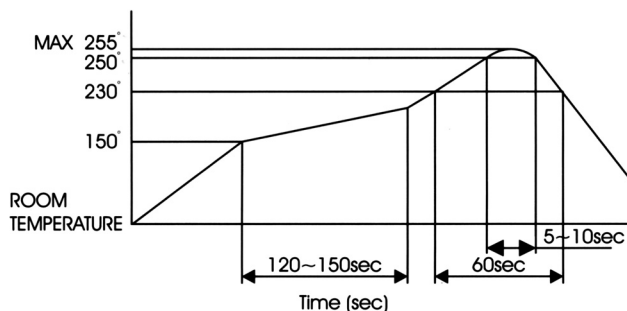
- Electrical Life: 2000 cycles.
- Rating: 25 mA, 24VDC.
- Contact Resistance: 100 mΩ min. at 500 VDC.
- Dielectric Strength 500VAC/1 minute.
- Contact Arrangement 1 pole 1 throw.

SOLDERING PROCESSES

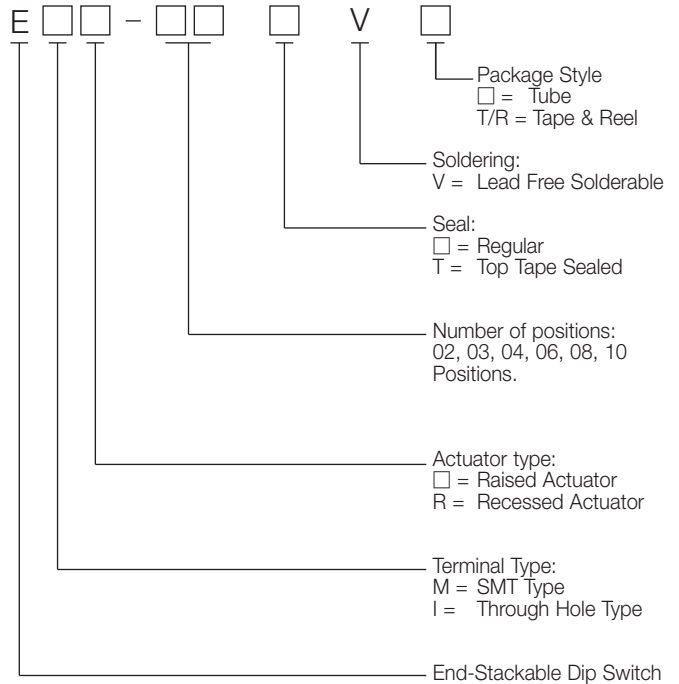
For best results, please follow these recommendations:

- △ Keep all switch contacts in their "OFF" position for all operations.
- △ Wave soldering: Recommended solder temperature at 500 °F (260 °C) max 5 seconds for trough hole type.
- △ Hand soldering: Use a soldering iron of 30 Watts, controlled at 350 °C approximately 5 seconds while applying.
- △ Reflow soldering: When applying reflow soldering, the peak temperature of the reflow oven should be set to 260 °C.
- △ Any flux enters the switch may fail the conductivity.
- △ Do not clean the switch body except top tape sealed type, which only suitable for spray cleaning method from top of the S/W.

Temperature profile

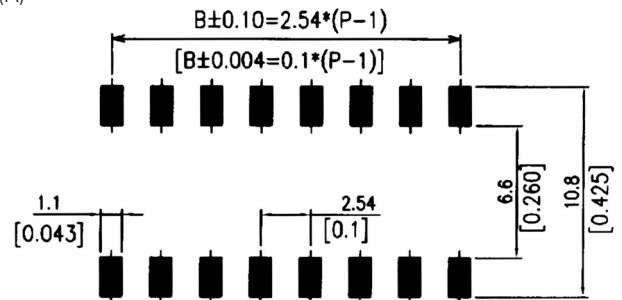


HOW TO ORDER

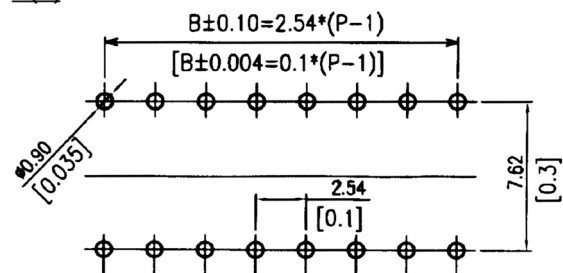


P.C.B LAYOUT

EM(R)



EI(F) EI(R)



PACKAGING

- EM(R)/EI(R)-02: 95 pcs/tube
- EM(R)/EI(R)-03: 63 pcs/tube
- EM(R)/EI(R)-04: 47 pcs/tube
- EM(R)/EI(R)-06: 31 pcs/tube
- EM(R)/EI(R)-08: 23 pcs/tube
- EM(R)/EI(R)-10: 18 pcs/tube
- EMR-02-T-T/R~EMR-10-T-T/R: 900 pcs/reel
- EM-(02)(03)(04)(06)(08)-T/R: 700 pcs/reel
- EM-10T/R: 800 pcs/reel