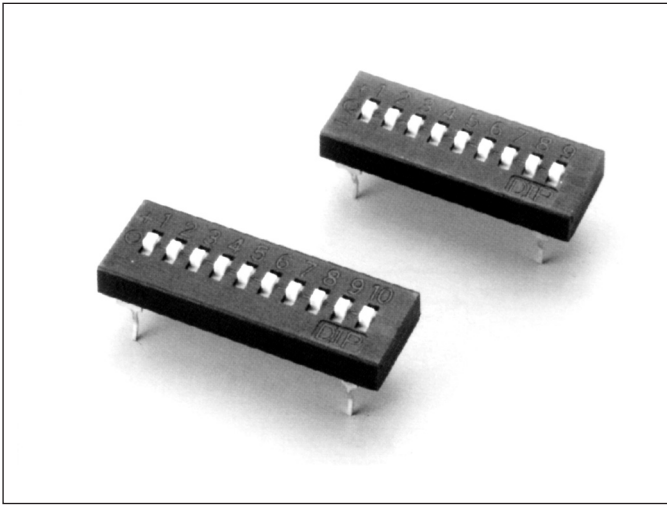
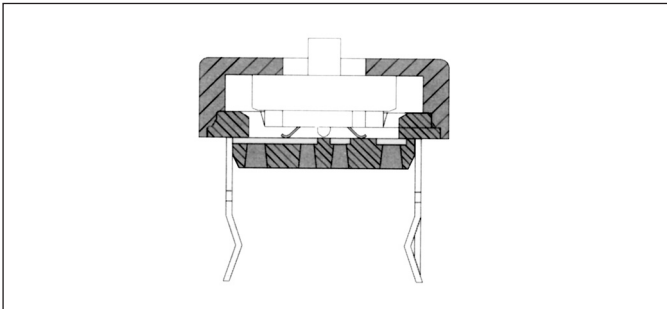


TDS SERIES
Tri-State Slide Type



CONTACT SYSTEM



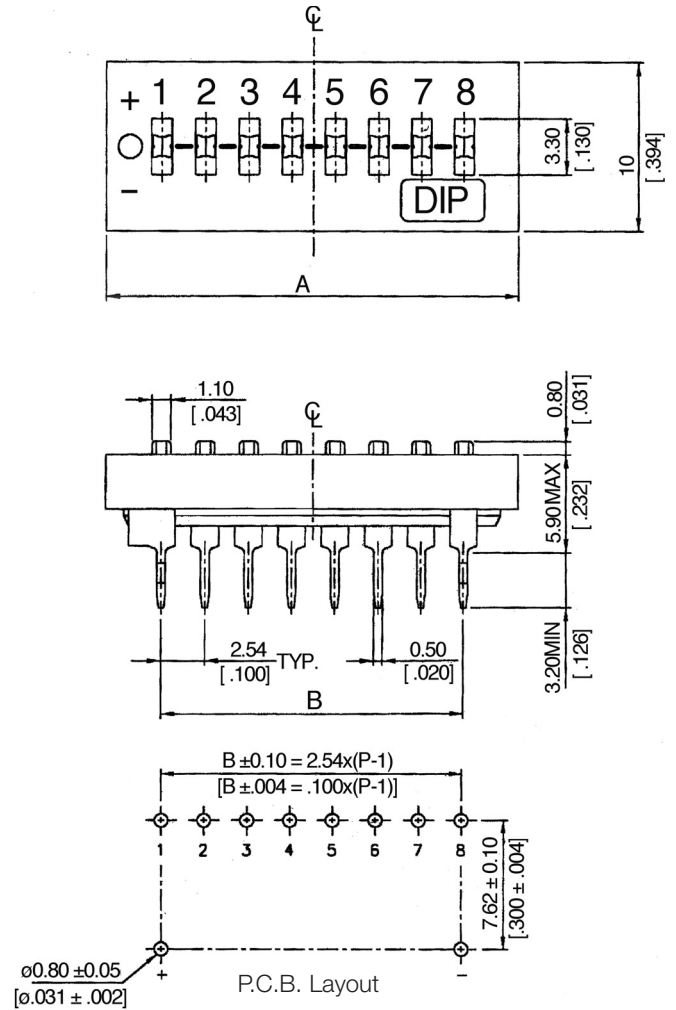
FEATURES

1. Setting (+, 0, -) function: 3ⁿ codes.
2. Double contacts.
3. Low contact resistance.
4. High reliability.

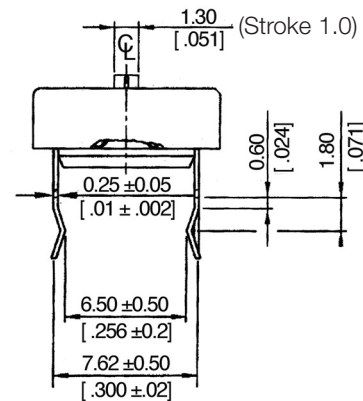
MATERIALS

- △ Base & Cover: UL94V-0 PBT High Thermoplastic.
Color: Black.
- △ Actuators: UL94V-0 Nylon Thermoplastic.
Color: White.
- △ Contact: Alloy Copper with gold plated.
- △ Terminal: Brass with tin plated.
- △ Contact Plating: Gold plated over nickel.

DIMENSIONS



TERMINAL TYPE



General Tolerance: ± 0.2 mm (± 0.008 ")



SPECIFICATION

Mechanical

- Mechanical Life: 2000 operations cycles per switch.
- Operation Force: 1000 gf max.
- Stroke: 1.0 mm.
- Operation Temp: -20 °C to 70 °C
- Storage Temp: -40 °C to 85 °C
- Vibration Test: MIL-STD-202F METHOD 201A.
Frequency: 10-55-10Hz/1 min.
Directions: X, Y, Z, three mutually perpendicular directions.
Time: 2 hours each direction.
High reliability.
- Shock Test: MIL-STD-202F METHOD 213 B.
CONDITION A.
Gravity: 50G (peak value), 11 msec.
Direction and times: 6 sides and 3 Times in each direction.
High reliability.

Electrical

- Electrical Life: 2000 operations cycles per switch 24VDC, 25 mA.
- Non-switching Rating: 100 mA, 50VDC.
- Switching rating: 25 mA, 24VDC.
- Contact Resistance: (a) 50 mΩ max. at initial.
(b) 100 mΩ max. after life test.
- Insulation Resistance: 100 MΩ min. at 500 VDC.
- Dielectric Strength: 500VAC/1 minute.
- Capacitance: 5 pF max.
- Circuit: 3 switching positions.

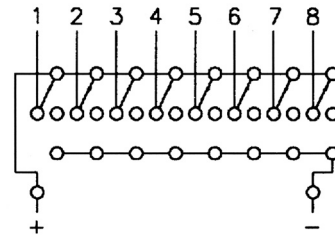
SOLDERING PROCESSES

For best results, please follow these recommendations:

- △ Keep all switch contacts in their "0" position for all operations.
- △ Wave soldering: Recommended solder temperature at 500 °F (260 °C) max. 5 seconds.
- △ Hand soldering: Use a soldering iron of 30 Watts, controlled at 350 °C approximately 5 seconds while applying solder.

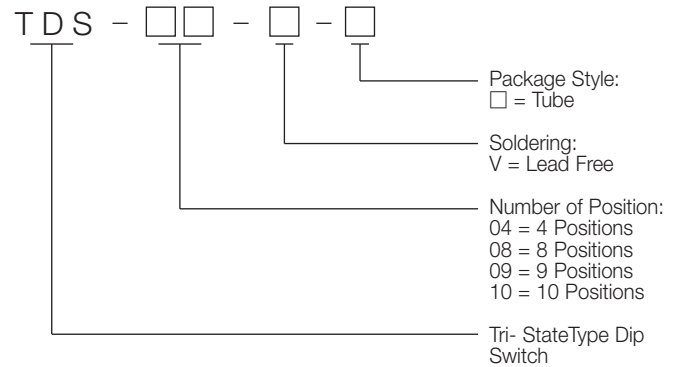
MODELS

TDS-10	10	29.38(1.157)	22.86(.900)
TDS-09	09	26.84(1.057)	20.32(.800)
TDS-08	08	24.30(.957)	17.78(.700)
TDS-04	04	14.14(.557)	7.62(.300)
Prod. No	No. of pos.	DIM. A	DIM. B



Circuit Diagram

HOW TO ORDER



PACKING

All TRI-STATE DIP switches are shipped in standard IC tubes with all poles in the "0" position.

PACKAGING

- TDS-04: 33 pcs/tube
- TDS-08: 19 pcs/tube
- TDS-09: 17 pcs/tube
- TDS-10: 16 pcs/tube