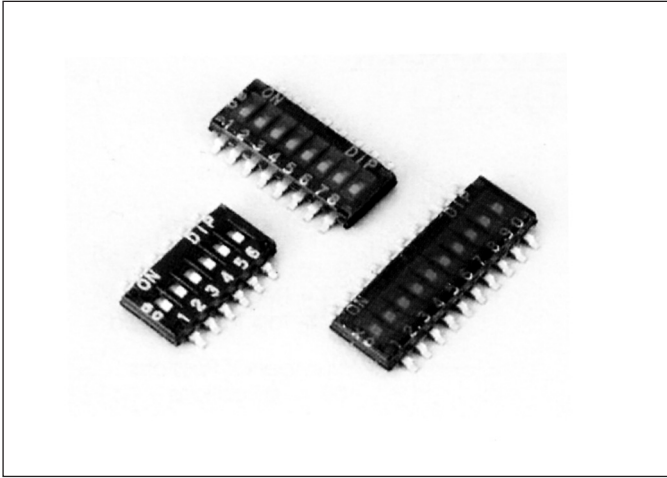
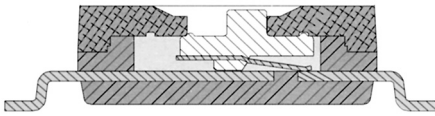


(F) (N) HDS SERIES
New Half Pitch Type



CONTACT SYSTEM

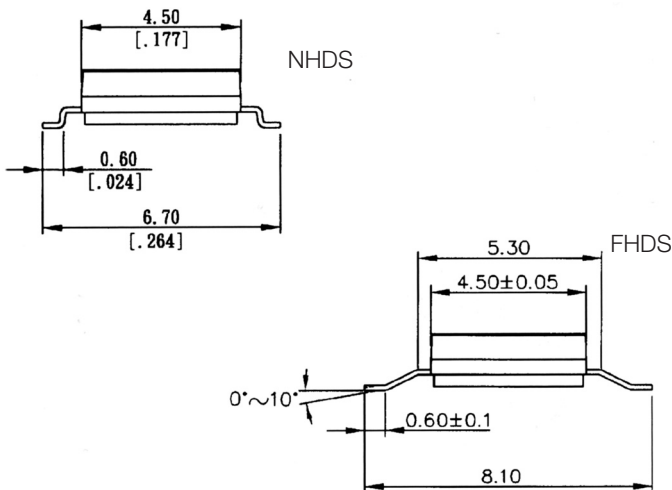


- △ Half Pitch (1.27mm) terminal.
- △ Gold plated electrical contacts.

MATERIALS

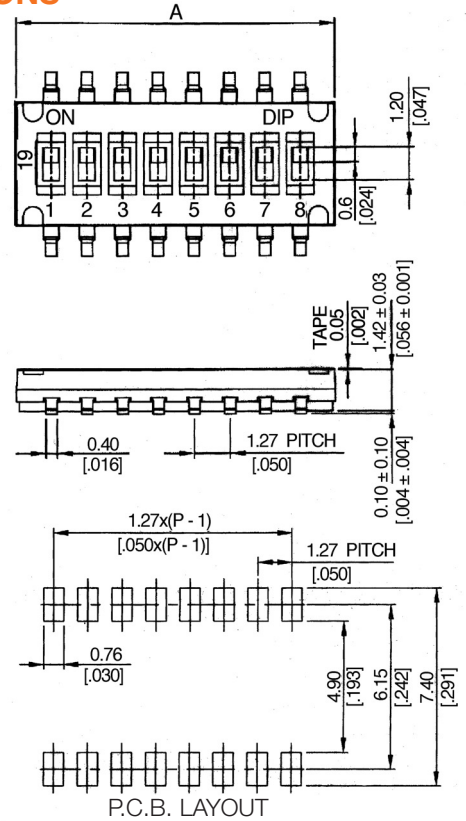
- △ Base: UL94V-O Nylon Thermoplastic.
Color: Black.
- △ Cover: UL94V-O Nylon Thermoplastic.
Color: Black.
- △ Actuators: LCP Thermoplastic.
Color: White.
- △ Contact: Alloy copper with gold plated.
- △ Terminal: Brass with gold plated.
- △ Tape: Kapton.

TERMINAL TYPE

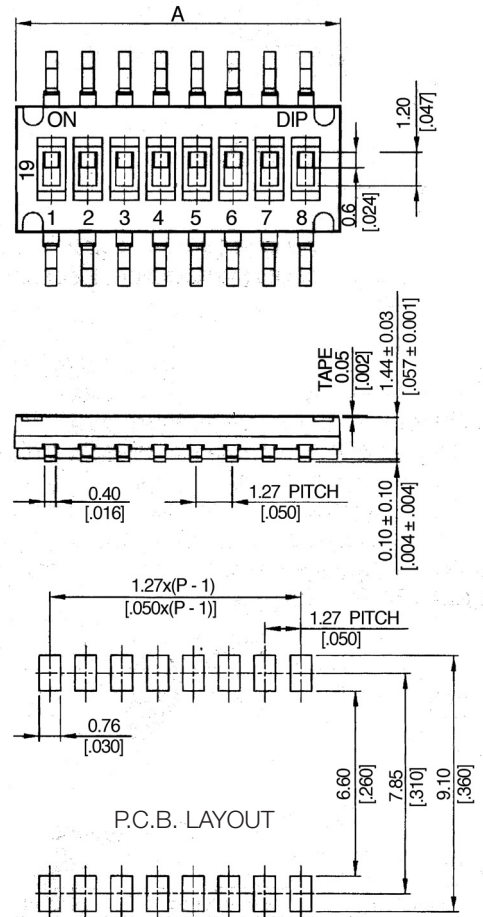


DIMENSIONS

NHDS



FHDS



General Tolerance: ± 0.2 mm (± 0.008")



SPECIFICATION

Mechanical

- Mechanical Life: 1000 operations cycles per switch.
- Operation Force: 500 gf.
- Stroke: 0.6 mm.
- Operation Temp: -40 °C to 85 °C
- Storage Temp: -40 °C to 85 °C
- Vibration Test: MIL-STD-202F METHOD 201A.
Frequency: 10-55-10Hz/1 min.
Directions: X, Y, Z, three mutually perpendicular directions.
Time: 2 hours each direction.
High reliability.
- Shock Test: MIL-STD-202F METHOD 213 B.
CONDITION A.
Gravity: 50G (peak value), 11 m/sec.
Direction and times: 6 sides and 3 times in each direction.
High reliability.

Electrical

- Electrical Life: 1000 operations cycles per switch 24VDC, 25 mA.
- Non-Switching Rating: 100 mA, 50VDC.
- Switching Rating: 25 mA, 24VDC.
- Contact Resistance: 100 mΩ max. at initial.
- Insulation Resistance: 100 MΩ min at 500 VDC.
- Dielectric Strength: 300VAC/1 minute.
- Capacitance: 5pF max.
- Circuit: Single pole single throw.

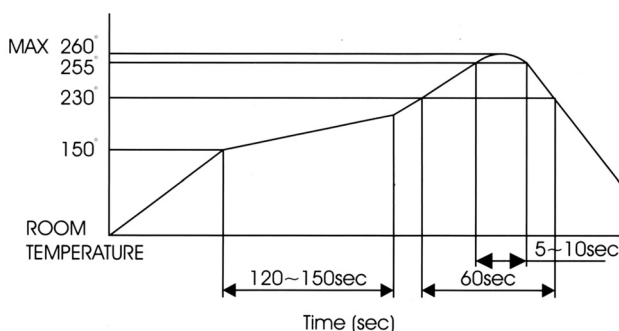
SOLDERING PROCESSES

Soldering: vapor phase & IR-reflow soldering can be applied.

Cleaning:

1. Only seal tape type apply to washing process.
 2. Do not remove the seal tape before washing.
 3. After soldering process, do not continue the washing process immediately. Please wait for at least 3 minutes.
 4. Apply alcoholic solvents as cleaning agent, do not use other solvents or water.
 5. Ultrasonic cleaning is unavailable.
 6. The cleaning process per stage is 1 minute max., and the whole cleaning time do not exceed 3 minutes.
 7. Do not impose any external force on switch while washing.
- △ Any flux enters the switch may fail the conductivity.

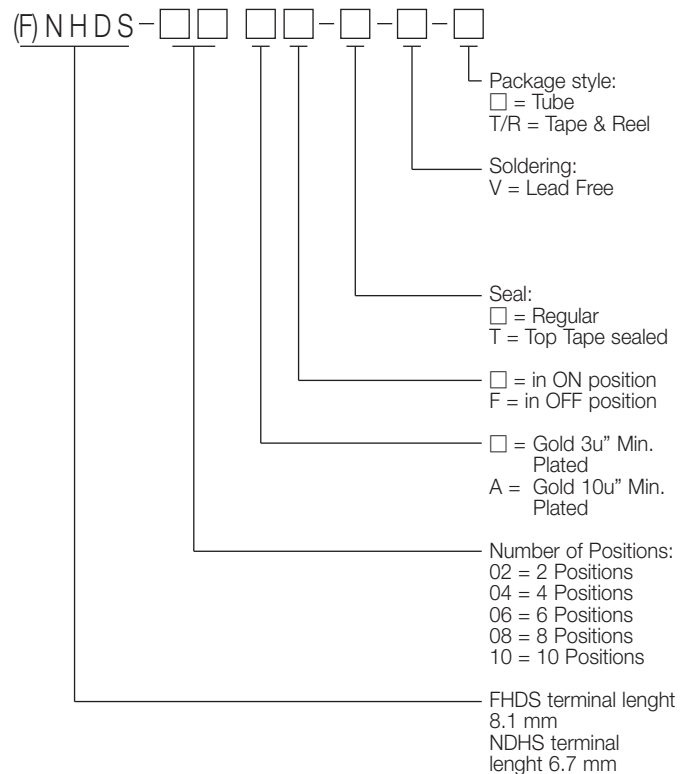
△ Temperature profile (reference)



MODELS

(F)NHDS-02 (A)	2	3.77(.148)
(F)NHDS-04 (A)	4	6.31(.248)
(F)NHDS-06 (A)	6	8.85(.348)
(F)NHDS-08 (A)	8	11.39(.448)
(F)NHDS-10 (A)	10	13.93(.548)
Prod. No.	No. of Pos.	Dim. A

HOW TO ORDER



Precaution: for quality assurance, please operate actuators carefully to avoid any damage.

PACKAGING

- (F) (N) HDS-02(-T): 125 pcs/tube
- (F) (N) HDS-04(-T): 75 pcs/tube
- (F) (N) HDS-06(-T): 54 pcs/tube
- (F) (N) HDS-08(-T): 40 pcs/tube
- (F) (N) HDS-10(-T): 33 pcs/tube
- Tape and Reel: NDHS series: 4000 pcs/reel
- FHDS series: 2500 pcs/reel