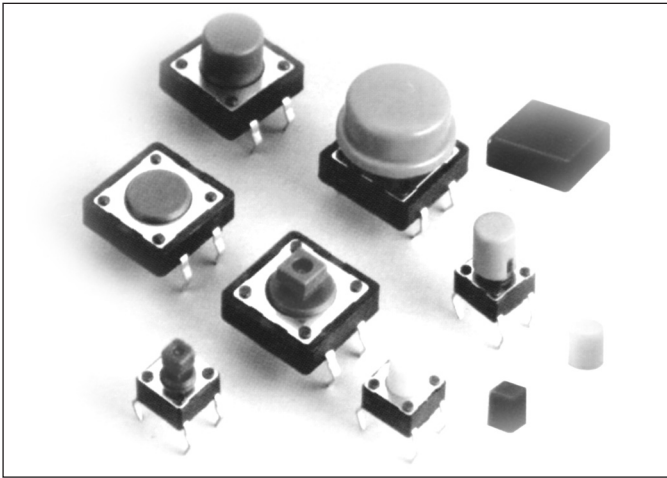


**DTS-6(2) & KTSC-6(2) SERIES**  
(Square STEM with CAP Options)



**FEATURES**

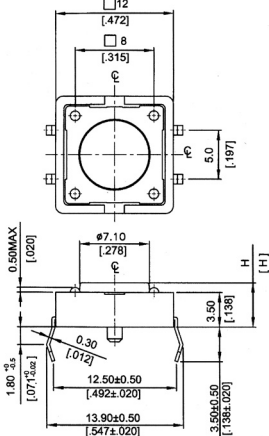
1. Sharp click feel with a positive tactile feedback. Due to a small movement distance (stroke), user experiences distinct sensation when the switch "clicks" into place.
2. Ultraminiature and light weight structure suitable for high density mounting. Economic but high reliability.
3. Insert molding in the contact with special treatment prevents flux build-up during soldering and permits auto-dipping.

**MATERIALS**

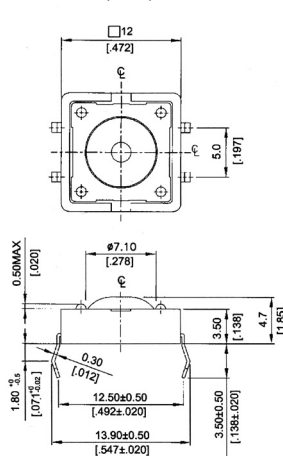
- △ Cover: Stainless steel.
- △ Base: UL94V-O Nylon Thermoplastic.
- △ STEM: UL94V-O Nylon Thermoplastic.
- Color: Black (100gf), Brown (160gf), Red (260gf), Salmon (320gf), Yellow (520gf).
- Silicone rubber Color: Red (300gf).
- △ Contact Disc: Phosphor bronze with silver cladding.
- △ Terminal: Brass with silver plated.
- △ CAP: Thermoplastic ABS.

**DIMENSIONS**

DTSP-2

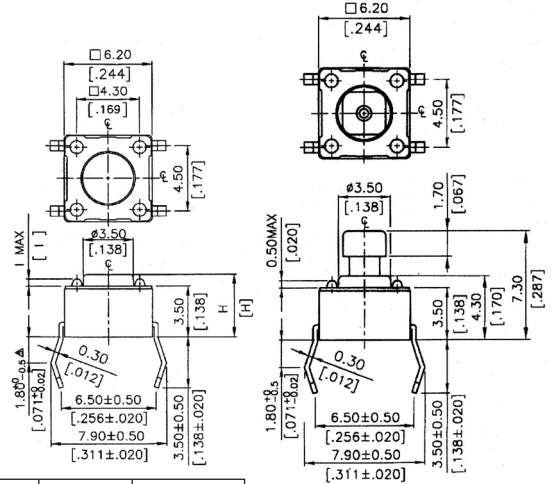


DTS-21 (063)



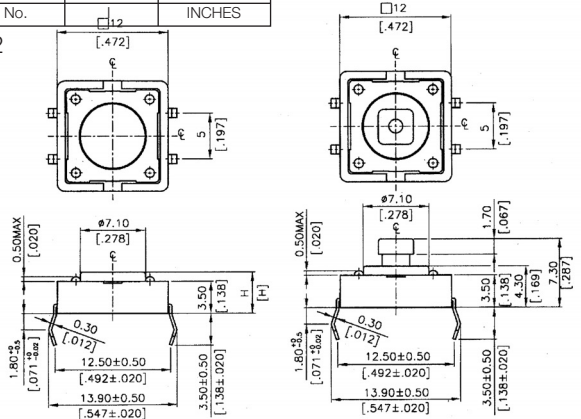
**DIMENSIONS**

DTS-6

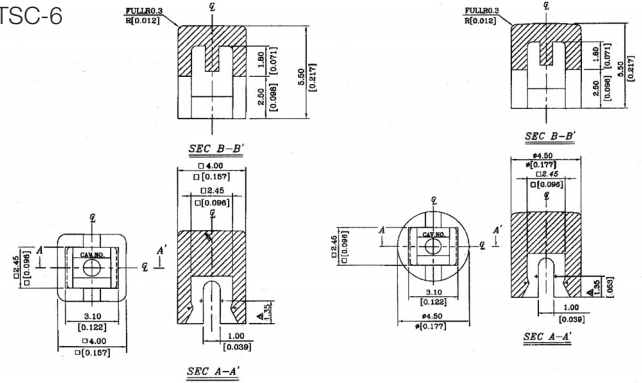


DTS -62-63 □	0.6 Max	0.236 Max
DTS -6 1 □	0.5 Max	0.197 Max
Prod. No.	□12	INCHES

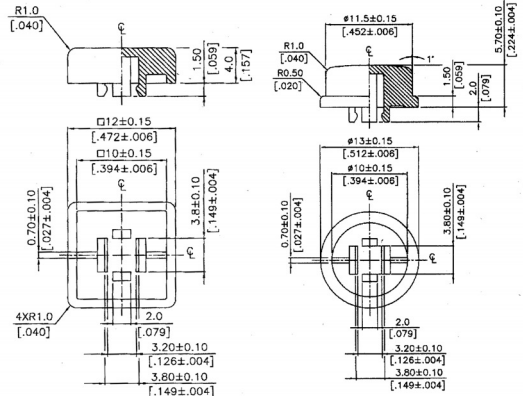
DTS-2



KTSC-6



KTSC-2



General Tolerance: ± 0.2 mm (± 0.008")



## SPECIFICATION

### Mechanical

- Operation Force: 520 ± 130gf Yellow (Y)  
320 ± 80gf Salmon (S)  
260 ± 50gf Red (R)  
160 ± 50gf Brown (N)  
100 ± 50gf Black (K)
- Stop Strength: Max 3kgf vertical static load continuously for 15 seconds.
- Stroke: (12x12) 0.35 ± 0.1mm  
(6x6) 0.25 + 0.2mm - 0.1mm
- Operation Temperature Range: -25 °C to 70 °C
- Storage Temperature Range: -30 °C to 80 °C
- Vibration Test: MIL-STD-202F METHOD 201A.  
Frequency: 10-55-10Hz/1 minute.  
Directions: X, Y, Z, three mutually perpendicular directions.  
Time: 2 hours each direction.  
High reliability.
- Shock Test: MIL-STD-202F METHOD 213 B.  
CONDITION A.  
Gravity: 50G (peak value), 11 msec.  
Direction and times: 6 sides and 3 times in each direction.  
High reliability.

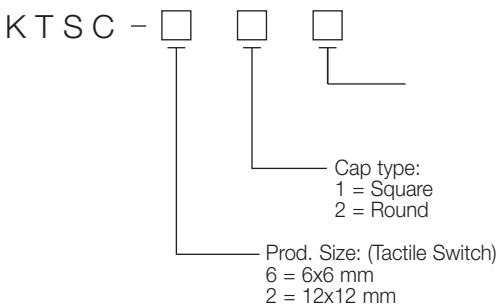
### Electrical

- Electrical Life (6x6): 300,000 cycles for 320gf, 520gf.  
500,000 cycles for 260gf.  
1,000,000 cycles for 100gf, 160gf.
- Electrical Life (12x12): 100,000 cycles for 320gf.  
100,000 cycles for 260gf.  
200,000 cycles for 160gf.
- Rating: 50 mA, 12VDC.
- Contact Resistance: 100 mΩ max.
- Insulation Resistance: 100 MΩ min. 500VDC.
- Dielectric Strength: 250VAC/1 minute.
- Contact Arrangement: 1 pole 1 throw.

## SOLDERING PROCESSES

- △ Wave soldering: Recommended solder temperature at 500 °F (260 °C) max. 5 seconds subject to PCB 1.6mm thickness. (For through hole type).
- △ Hand soldering: Use a soldering iron of 30 watts, controlled at 350 °C approximately 5 seconds while applying solder.

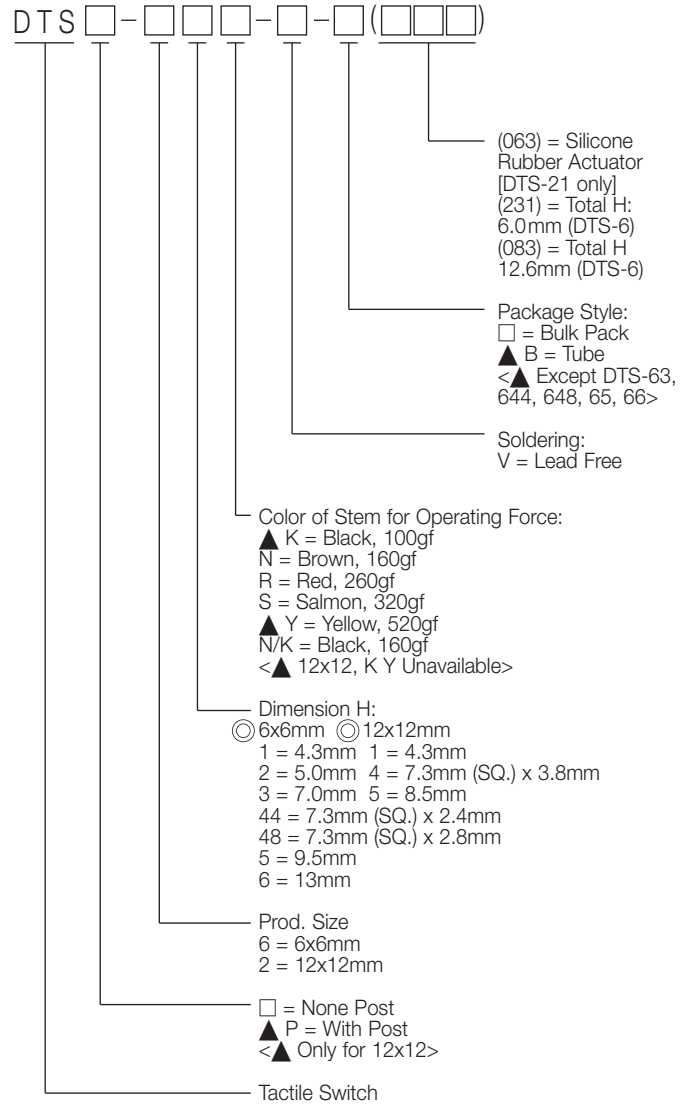
## HOW TO ORDER



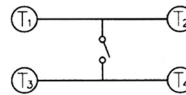
Cap color:  
Y = Yellow  
B = Blue  
R = Red  
I = Ivory  
K = Black  
G = Green  
S = Salmon  
Ge = Gray

- ▲ 1. Only for DTS □ -644 & 24
- ▲ 2. Bulk Pack.

## HOW TO ORDER

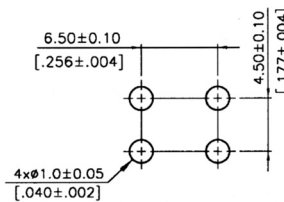


## CIRCUIT

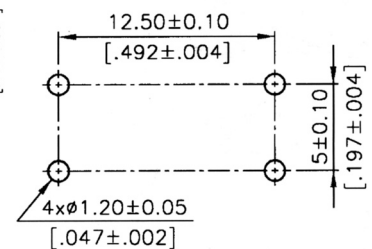


## P.C.B. LAYOUT

DTS-6



DTS-2



## PACKAGING

DTS-6 series: 1000 pcs/bag  
DTS(P)-2 series: 500pcs/bag or 40 pcs/tube