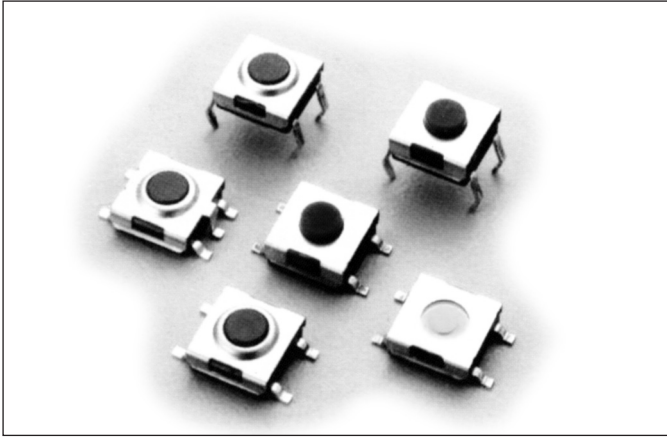


**DTSHW-6 (THROUGH HOLE),
DTS(G)MW-6 (SMT SERIES)
Washable Type**



FEATURES

1. Sharp click feel with a positive tactile feedback. Due to a small movement distance (stroke), user experiences distinct sensation when the switch “clicks” into place.
2. Ultraminiature and light weight structure suitable for high density mounting. Economic but high reliability.
3. Insert molding in the contact with special treatment prevents flux build-up during soldering and permits auto-dipping.
4. Seal characteristics:
 - a. The washable type switches allow submersed washing after soldering.
 - b. Proceed the cleaning process after the S/W temperature decreases to normal.
 - c. Degree of protection: IP46.

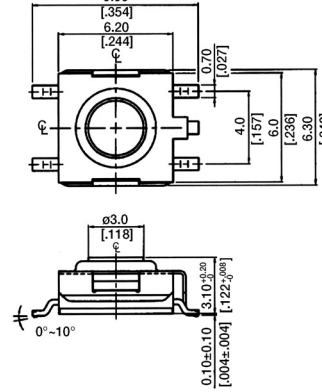
MATERIALS

- △ Cover: Stainless Steel.
Nickel Silver (DTSGMW-66)
- △ Terminal: Brass with silver plated.
- △ Base: UL94V-0 Nylon High-Temp. Thermoplastic.
Color: Black.

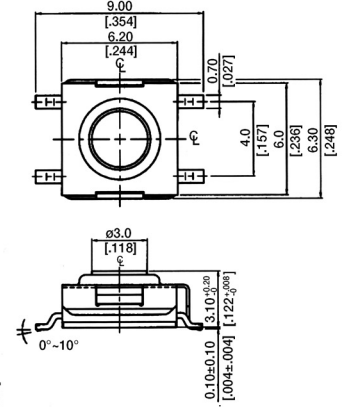
ITEM NO.	DTSGMW-66N DTSHW-66N DTSMW-66N	DTSMW-68S DTSHW-68S
STEM	High-Temp. Thermoplastic Nylon UL 94V-0 Color: Brown(N), 160gf	None
ADHESIVE TAPE	TEFLON	TEFLON (Standard) KAPTON (V-option)
METAL STEM	Brass with Nickel Plated	Brass with Nickel Plated
FILLER	None	None
CONTACT	Phosphor bronze with silver cladding (Standard) Stainless steel (V-option)	
ITEM NO.	DTS(H)MW-69, 65N (R) T	DTS(H)MW-67N (R) T
STEM	Silicone Rubber	Silicone Rubber
ADHESIVE TAPE	None	None
METAL STEM	None	None
FILLER	None	Nylon
CONTACT	Phosphor bronze with silver cladding (Standard) Stainless steel (V-option)	Stainless steel

DIMENSIONS

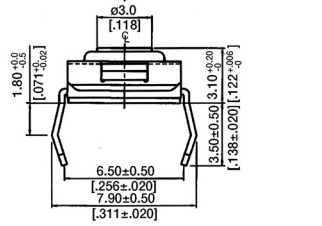
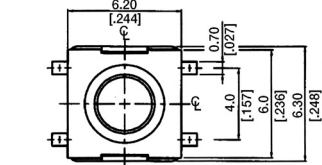
DTSGMW-66



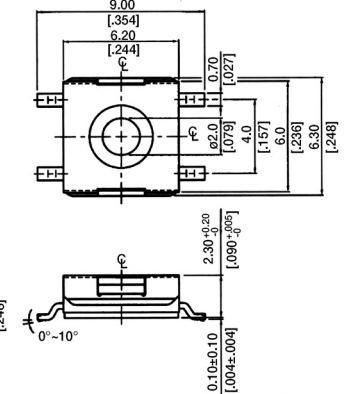
DTSMW-66



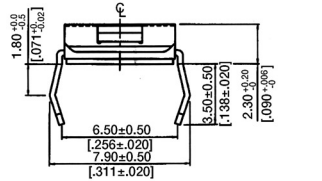
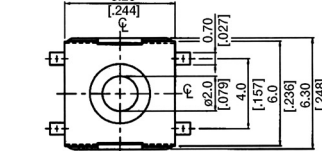
DTSHW-66



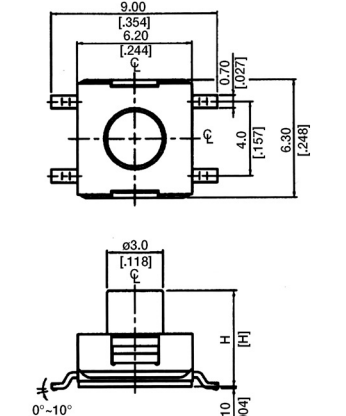
DTSMW-68



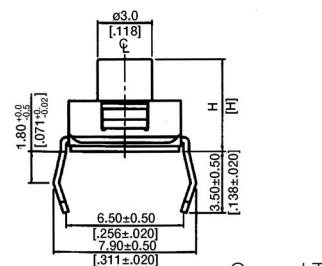
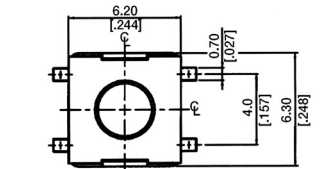
DTSHW-68



DTSMW-69, 67, 65, 64



DTSHW-69, 67, 65, 64



General Tolerance: ± 0.2 mm (± 0.008")



SPECIFICATION

Mechanical

- Operation Force:
 - 360 ± 90gf, Transparent (T), DTSH(M)W-69, 67, 65
 - 260 ± 70gf, Red (R), DTSH(M)W-69, 67, 65, 64
 - 180 ± 50gf, Brown (N), DTS(M)W-69, 67, 65, 64
 - 160 ± 50gf, Brown (N), DTS(M)W-66, DTSGMW-66
 - 160 ± 50gf, Silver (S), DTSH(M)W-68
 Stop Strength: Max 3kgf vertical static load continuously for 15 seconds.
- Stroke: 0.25 +0.2mm 66N, 68S
-0.1mm
0.6 ± 0.2mm, 69, 67T
0.45 ± 0.2mm, 69, 67, 65N(R), 65T, 64
- Operation Temperature Range: -25 °C to 70 °C
- Storage Temperature Range: -30 °C to 80 °C
- Vibration Test: MIL-STD-202F METHOD 201A.
Frequency: 10-55-10Hz/1 minute.
Directions: X, Y, Z, three mutually perpendicular directions.
Time: 2 hours each direction.
High reliability.
- Shock Test: MIL-STD-202F METHOD 213 B.
CONDITION A.
Gravity: 50G (peak value), 11 msec.
Direction and times: 6 sides and 3 times in each direction.
High reliability.

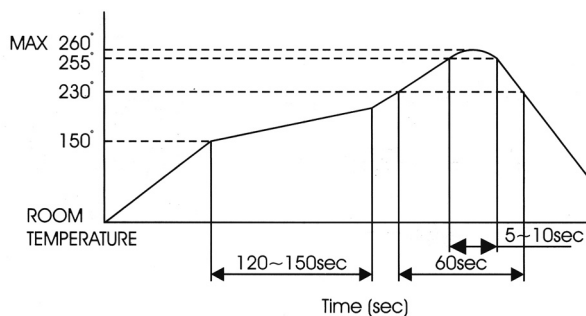
Electrical

- Electrical Life:
 - 500,000 cycles for DTS□W-69, 65N(R) T, 64N(R)
 - 500,000 cycles for DTS□W-67N(R) T
 - 100,000 cycles for DTS□W-66N, 68S, DTSGMW-66N
- Rating: 50 mA, 12VDC.
- Contact Resistance: 100 mΩ max.
- Insulation Resistance: 100 MΩ min. 500VDC.
- Dielectric Strength: 250VAC/1 minute.
- Contact Arrangement: 1 pole 1 throw.

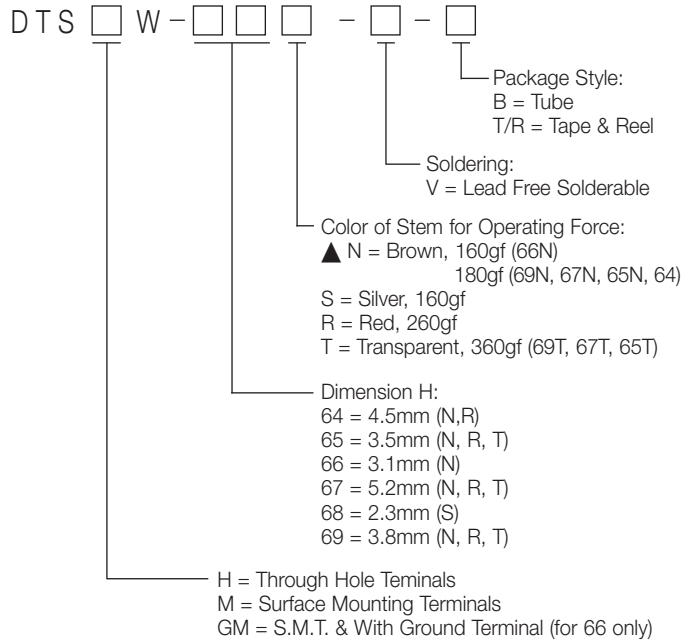
SOLDERING PROCESSES

- △ Wave soldering: Recommended solder temperature at 500 °F (260 °C) max. 5 seconds subject to PCB 1.6mm thickness. (For through hole type).
- △ Hand soldering: Use a soldering iron of 30 watts, controlled at 350 °C approximately 5 seconds while applying solder.
- △ Soldering: Vapor phase & reflow soldering can be applied.

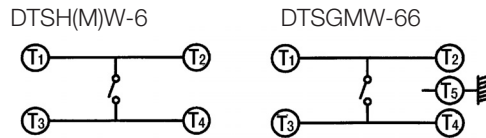
Temperature Profile:



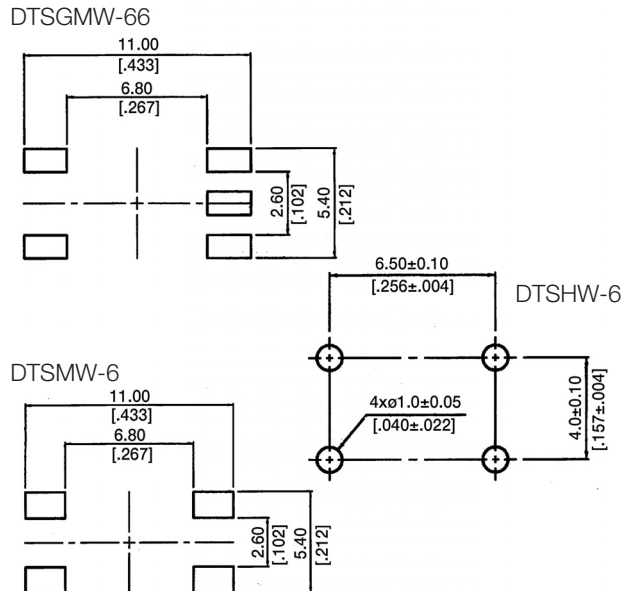
HOW TO ORDER



CIRCUIT



P.C.B. LAYOUT



PACKAGING

- Tube = 75pcs/tube
- DTSMW-64 □ -T/R: 900 pcs/reel
- DTSMW-65 □ -T/R: 1900 pcs/reel
- DTSMW-66 □ -T/R: 2000 pcs/reel
- DTSMW-67 □ -T/R: 900 pcs/reel
- DTSMW-68 □ -T/R: 2000 pcs/reel
- DTSMW-69 □ -T/R: 1900 pcs/reel