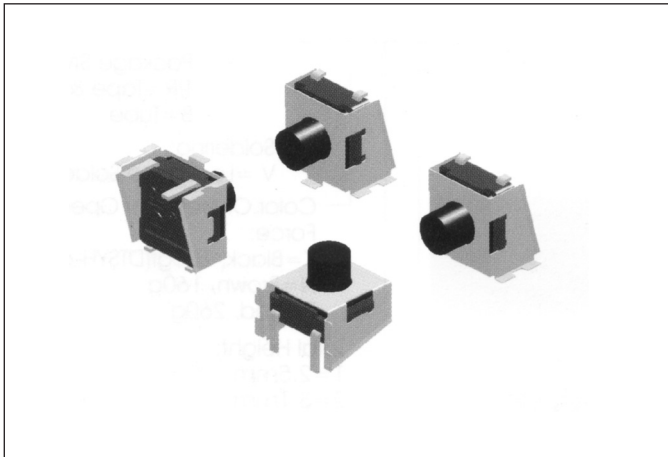


TA(S)-6 (SMT & RIGHT ANGLE) SERIES
Washable Type



FEATURES

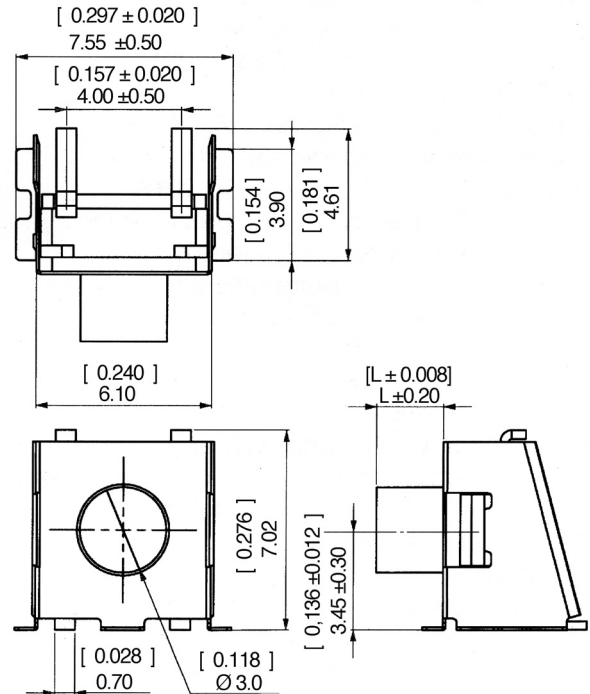
1. Sharp click feel with a positive tactile feedback. Due to a small movement distance (stroke), user experiences distinct sensation when the switch “clicks” into place.
2. Ultraminiature and light weight structure suitable for high density mounting. Economic but high reliability.
3. Insert molding in the contact with special treatment prevents flux build-up during soldering and permits auto-dipping.
4. Seal characteristics:
 - a. The washable type switches allow submersed washing after soldering.
 - b. Proceed the cleaning process after the S/W temperature decreases to normal.
 - c. Degree of protection: IP46.

MATERIALS

- △ Cover: Nickel Silver.
- △ STEM: Silicone rubber (red) (brown).
- △ Terminal: Brass with silver plated.
- △ Base: Nylon UL94V-O High-Temp Thermoplastic.
Color: Black.
- △ Contact: Phosphor bronze with silver cladding.

DIMENSIONS

TA(S)-6



General Tolerance: ± 0.2 mm (± 0.008 ")



SPECIFICATION

Mechanical

- Operation Force: 260 ± 70gf (Red) 180 ± 50gf (Brown)
- Stop Strength: Max 3kgf vertical static load continuously for 15 seconds.
- Stroke: 0.45 ± 0.2mm.
- Operation Temperature Range: -25 °C to +70 °C
- Storage Temperature Range: -30 °C to +80 °C
- Vibration Test: MIL-STD-202F METHOD 201A.
Frequency: 10-55-10Hz/1 minute.
Directions: X, Y, Z, three mutually perpendicular directions.
Time: 2 hours each direction.
High reliability.
- Shock Test: MIL-STD-202F METHOD 213 B.
CONDITION A.
Gravity: 50G (peak value), 11 msec.
Direction and times: 6 sides and 3 times in each direction.
High reliability.

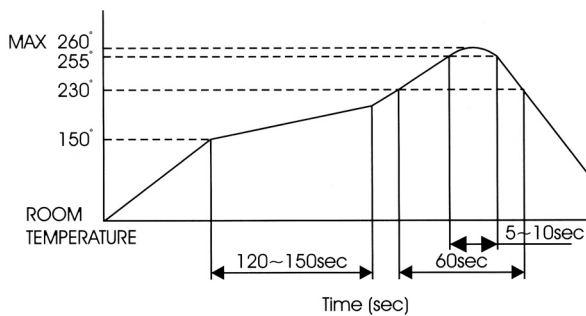
Electrical

- Electrical Life: 500,000 cycles.
- Rating: 50 mA, 12VDC.
- Contact Resistance: 100 mΩ max.
- Insulation Resistance: 100 MΩ min. 500VDC.
- Dielectric Strength: 250VAC/1 minute.
- Contact Arrangement: 1 pole 1 throw.

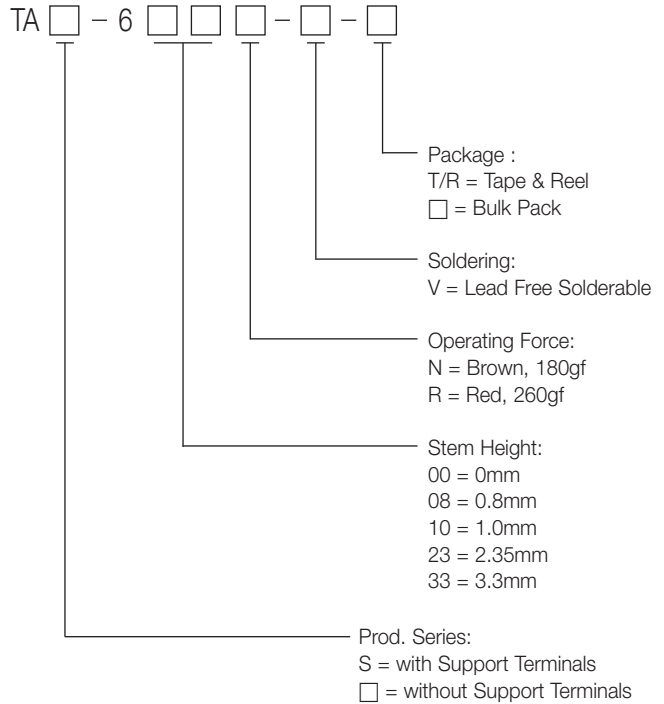
SOLDERING PROCESSES

- △ Hand soldering: Use a soldering iron of 30 watts, controlled at 350 °C approximately 5 seconds while applying solder.
- △ Soldering: Vapor phase & reflow soldering can be applied.

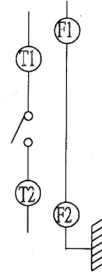
Temperature Profile:



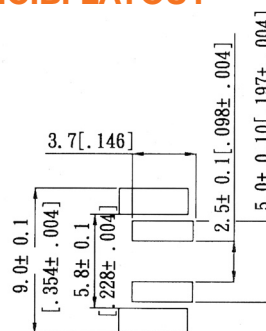
HOW TO ORDER



CIRCUIT



P.C.B. LAYOUT



PACKAGING

- TA(S)-600-T/R: 700 pcs/reel
- TA(S)-608-T/R: 700 pcs/reel
- TA(S)-610-T/R: 700 pcs/reel
- TA(S)-623-T/R: 700 pcs/reel
- TA(S)-633-T/R: 600 pcs/reel