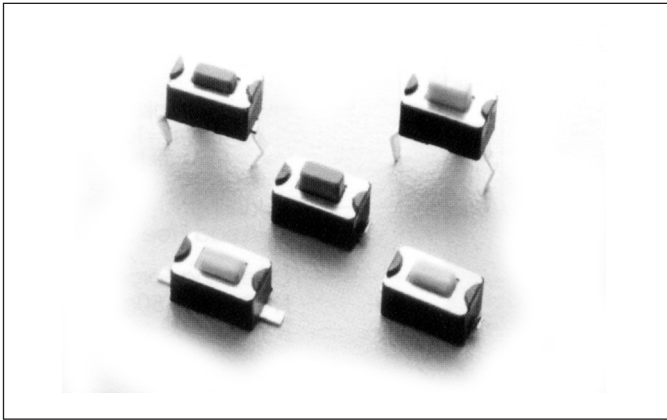


**DTS-3, DTSM(L)-3 SERIES**  
Through Hole & SMT type



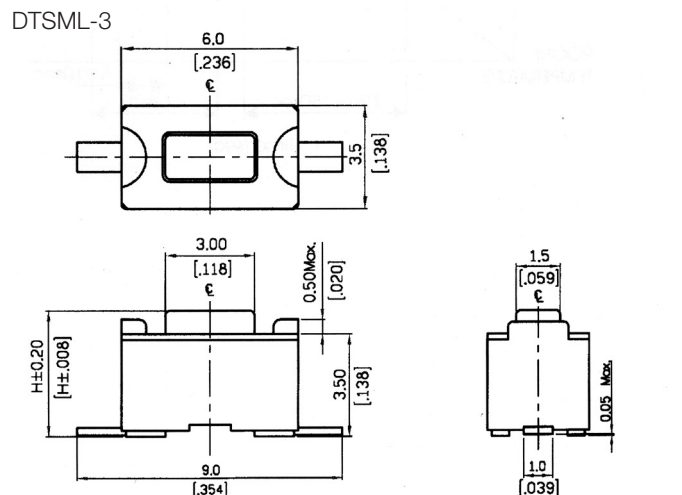
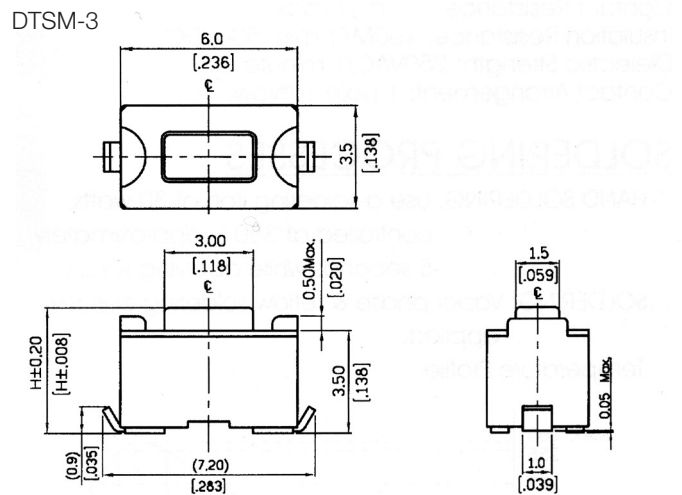
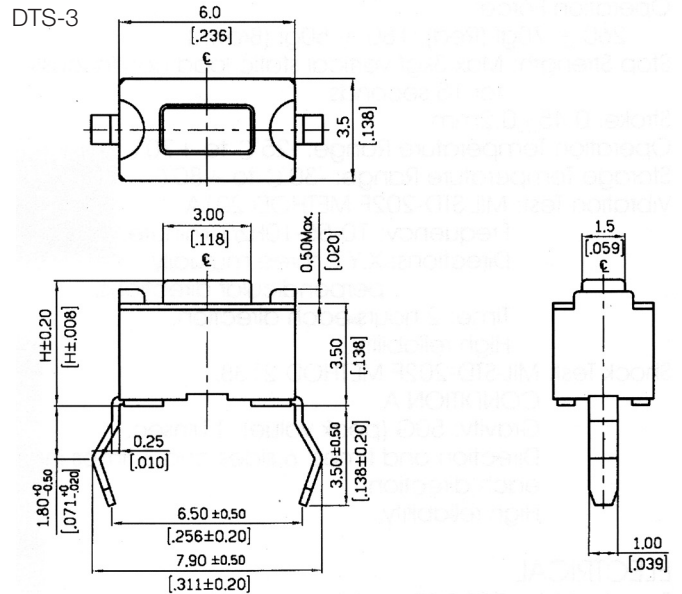
**FEATURES**

1. Sharp click feel with a positive tactile feedback.
2. Ultraminiature structure suitable for high density mounting.  
Economic but high reliability.
3. Insert molding in the contact with special treatment prevents flux build-up during soldering and permits auto-dipping.

**MATERIALS**

- △ Cover: Stainless Steel.
- △ Base: UL94V-O Nylon. High-Temp. Thermoplastic.
- △ STEM: UL94V-O Nylon High-Temp. Thermoplastic.  
Color: Brown (160gf), Red (260gf),  
Salmon (320gf), Yellow (520gf).
- △ Contact Disc: Stainless with silver cladding.
- △ Terminal: Brass with silver plated.

**DIMENSIONS**



General Tolerance: ± 0.2 mm (± 0.008")



## SPECIFICATION

### Mechanical

- Operation Force: 520 ± 130gf Yellow (Y)  
320 ± 80gf Salmon (S)  
260 ± 50gf Red (R)  
160 ± 50gf Brown (N)
- Stroke: 0.25 +0.2mm  
-0.1mm
- Operation Temperature Range: -25 °C to 70 °C
- Storage Temperature Range: -30 °C to 80 °C
- Vibration Test: MIL-STD-202F METHOD 201A.  
Frequency: 10-55-10Hz/1 minute.  
Directions: X, Y, Z, three mutually perpendicular directions.  
Time: 2 hours each direction.  
High reliability.
- Shock Test: MIL-STD-202F METHOD 213 B.  
CONDITION A.  
Gravity: 50G (peak value), 11 msec.  
Direction and times: 6 sides and 3 times in each direction.  
High reliability.

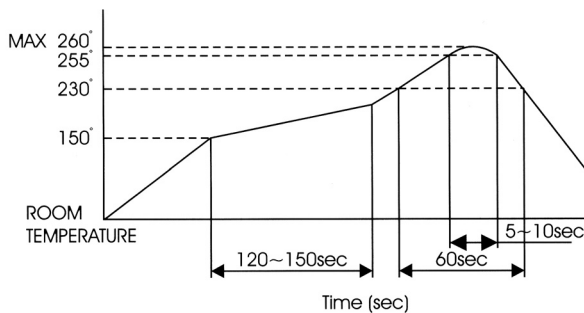
### Electrical

- Electrical Life: 50,000 cycles for 160gf, 320gf.  
30,000 cycles for 260gf, 520gf.
- Rating: 50 mA, 12VDC.
- Contact Resistance: 100 mΩ max.
- Insulation Resistance: 100 MΩ min. at 500VDC.
- Dielectric Strength: 250VAC/1 minute.
- Contact Arrangement: 1 pole 1 throw.

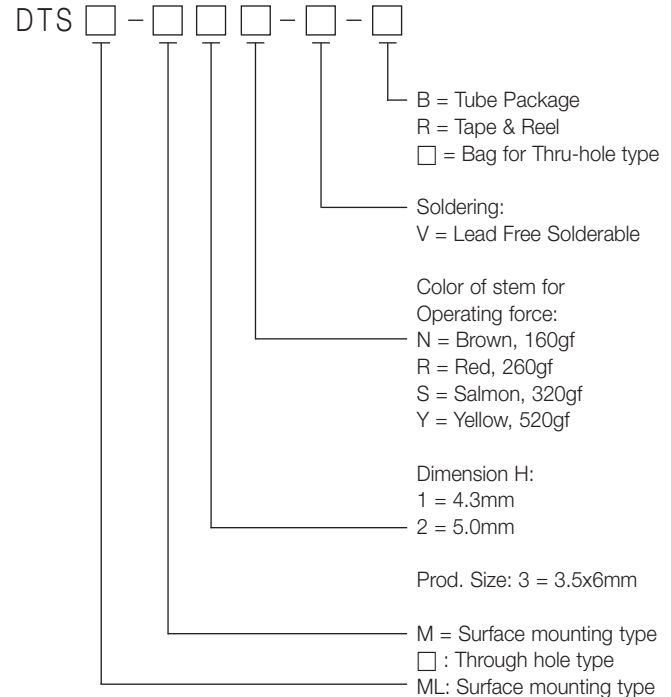
## SOLDERING PROCESSES

- △ Hand soldering: Use a soldering iron of 30 watts, controlled at 320 °C approximately 2 seconds while applying solder.
- △ Reflow Soldering: When applying reflow soldering, the peak temperature or the reflow oven should be set to 260 °C max.
- △ Wave Soldering: Recommended solder temperature at 260 °C max. 5 seconds for through hole type subject to P.C.B. 1.6mm thickness.

### Temperature Profile:



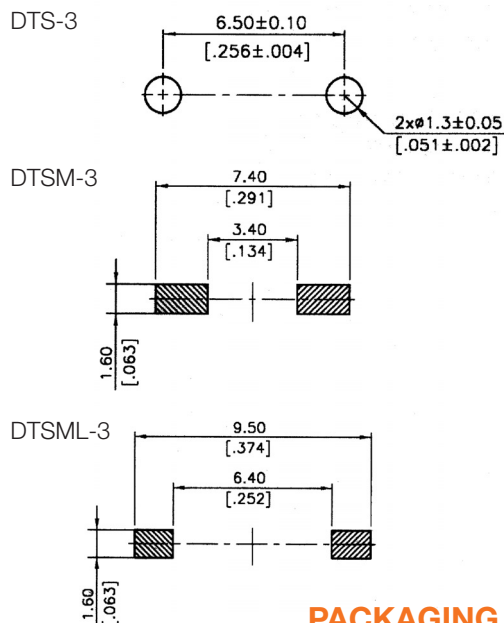
## HOW TO ORDER



## CIRCUIT



## P.C.B. LAYOUT



## PACKAGING

- Tube: 135 pcs/tube
- DTSM-31 □ -T/R: 1800 pcs/reel
- DTSM-32 □ -T/r: 1600 pcs/reel
- Bulk: 1000 pcs/bag