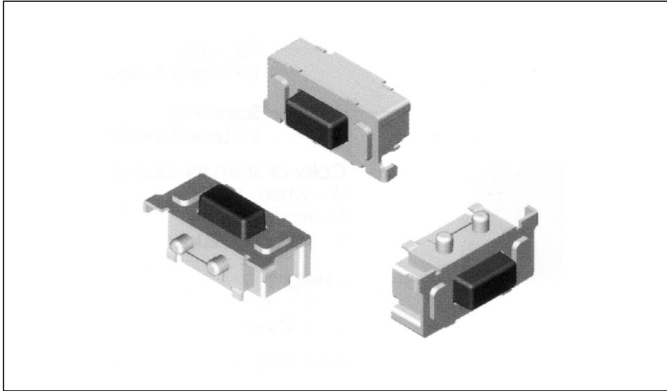


**1188 SERIES  
(SMT & Right Angle)**



**FEATURES**

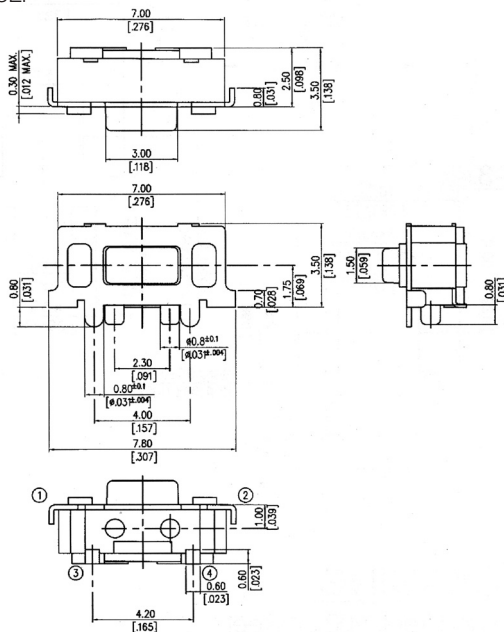
1. Sharp click feel with a positive tactile feedback.
2. Ultraminiature structure suitable for high density mounting.  
Economic but high reliability.
3. Insert molding in the contact with special treatment prevents flux build-up during soldering and permits auto-dipping.

**MATERIALS**

- △ Cover Steel: Tin plated (Standard).  
Silver plated (V-option).
- △ Base: UL94V-O Nylon Thermoplastic.  
Color: White.
- △ STEM: UL94V-O Nylon Thermoplastic.  
Color: Black (160gf), White (260gf).
- △ Contact Disc: Stainless with silver cladding.
- △ Terminal: Brass with silver plated.

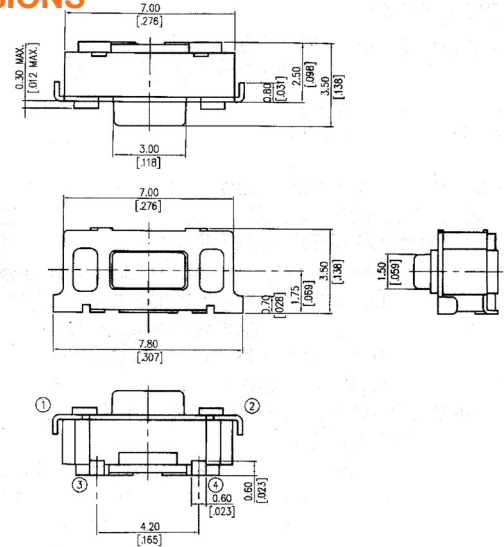
**DIMENSIONS**

1188EP

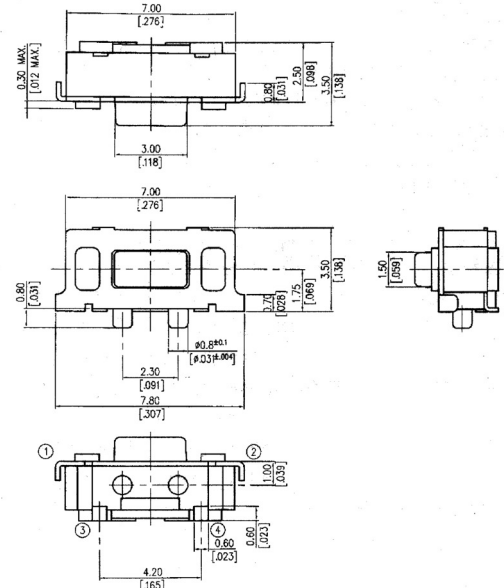


**DIMENSIONS**

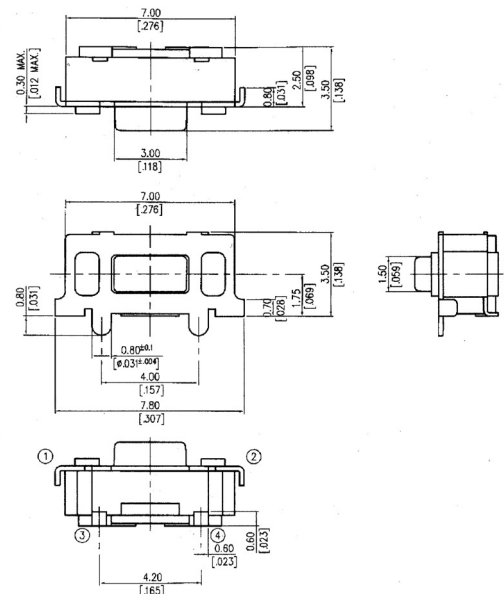
1188



1188E



1188P



General Tolerance: ± 0.2 mm (± 0.008")



## SPECIFICATION

### Mechanical

- Operation Force: 2 =  $160 \pm 50\text{gf}$   
3 =  $260 \pm 50\text{gf}$
- Stroke:  $0.25 \pm 0.1\text{mm}$ .
- Operation Temperature:  $-25\text{ }^\circ\text{C}$  to  $70\text{ }^\circ\text{C}$
- Storage Temperature:  $-40\text{ }^\circ\text{C}$  to  $80\text{ }^\circ\text{C}$
- Vibration Test: MIL-STD-202F METHOD 201A.  
Frequency: 10-55-10Hz/1 minute.  
Directions: X, Y, Z, three mutually perpendicular directions.  
Time: 2 hours each direction.  
High reliability.
- Shock Test: MIL-STD-202F METHOD 213 B.  
CONDITION A.  
Gravity: 50G (peak value), 11 msec.  
Direction and times: 6 sides and 3 times in each direction.  
High reliability.

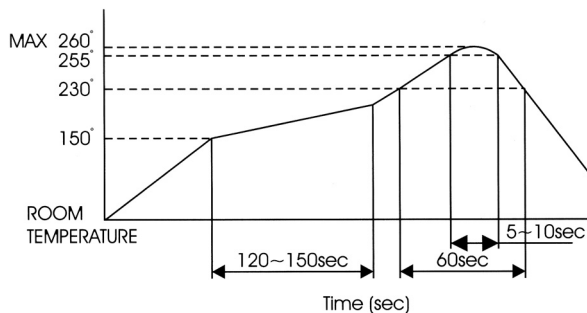
### Electrical

- Electrical Life: 50,000 cycles for 160gf.  
30,000 cycles for 260gf.
- Rating: 50 mA, 12VDC.
- Contact Resistance: 100 mΩ max.
- Insulation Resistance: 100 MΩ min. at 500VDC.
- Dielectric Strength: 250VAC/1 minute.
- Contact Arrangement: 1 pole 1 throw.

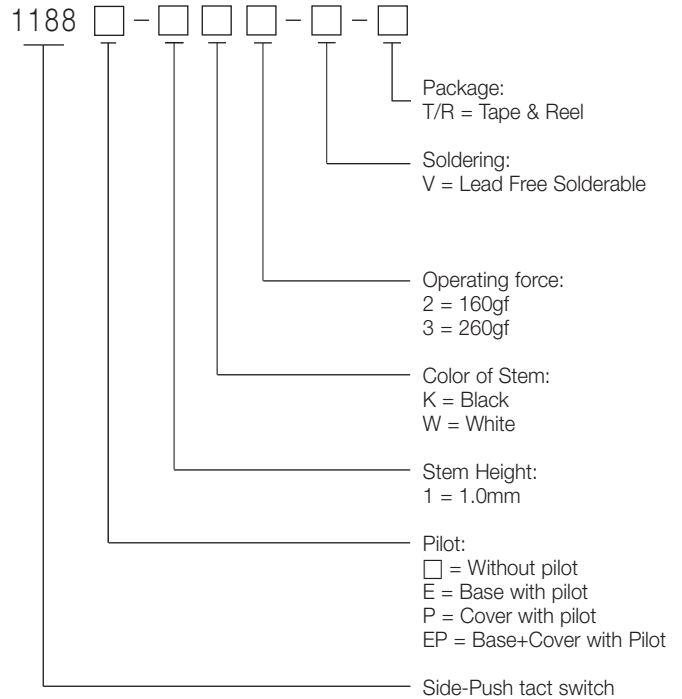
## SOLDERING PROCESSES

- △ Hand soldering: Use a soldering iron of 30 watts, controlled at  $320\text{ }^\circ\text{C}$  approximately 2 seconds while applying solder.
- △ Reflow Soldering: When applying reflow soldering, the peak temperature or the reflow oven should be set to  $260\text{ }^\circ\text{C}$  max.

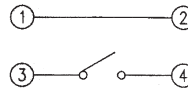
### Temperature Profile:



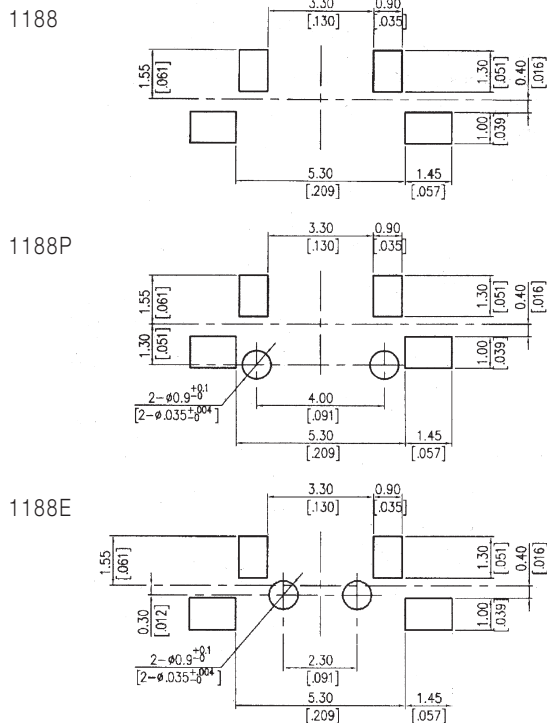
## HOW TO ORDER



## CIRCUIT



## P.C.B. LAYOUT



## PACKAGING

Tape and Reel: 2000 pcs/reel