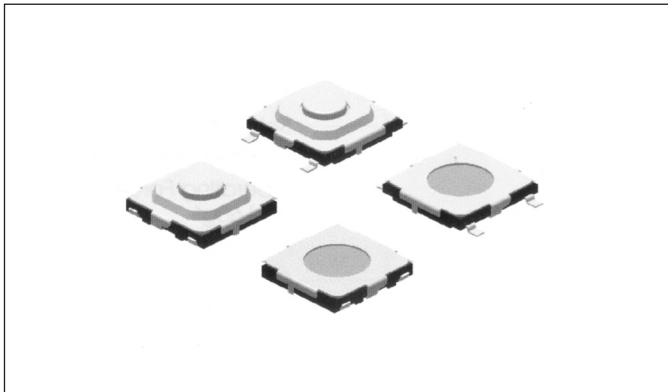


**TMG-5 (SMT), TJG-5 (J SMT) SERIES**



**FEATURES**

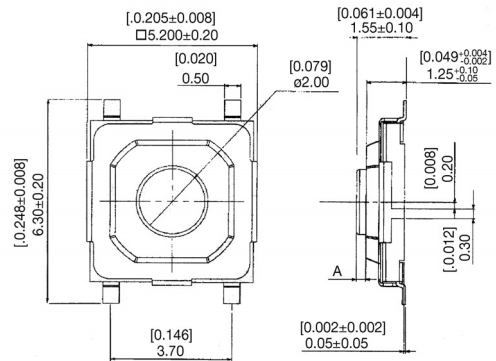
1. Sharp click feel with a positive tactile feedback.
2. Ultraminiature structure suitable for high density mounting.  
Economic but high reliability.
3. Insert molding in the contact with special treatment prevents flux build-up during soldering and permits auto-dipping.

**MATERIALS**

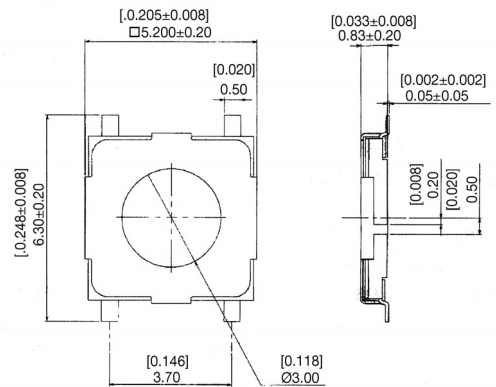
- △ Cover: Nickel Silver.
- △ Contact Disc: Stainless steel with silver cladding.
- △ Terminal: Brass with silver plated.
- △ Base: LCP High-temp. Thermoplastic.  
Color: Black.
- △ STEM: Brass with nickel plated/ TMG-53 □, TJG-53 □.  
None/ TMG-52 □, TJG-52 □.
- △ Tape: Teflon.

**DIMENSIONS**

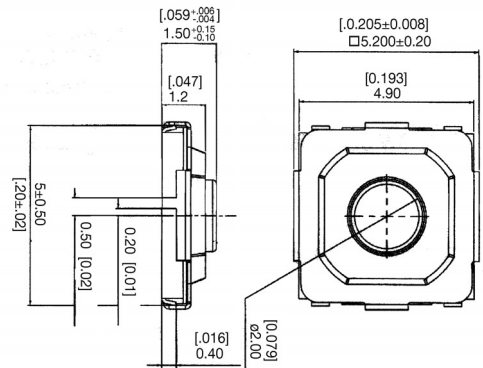
TMG-53 □



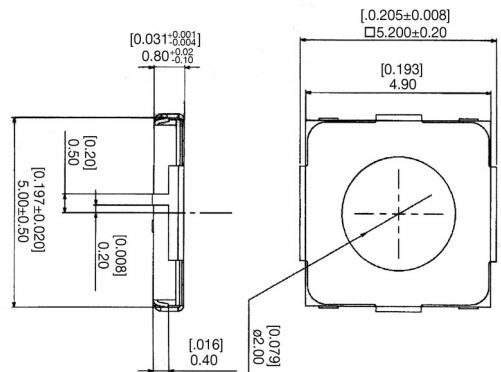
TMG-52 □



TJG-53 □



TJG-52 □



General Tolerance: ± 0.2 mm (± 0.008")



## SPECIFICATION

### Mechanical

- Operation Force: 100 ± 50gf TMG-5□2, TJG-5□2  
160 ± 50gf TMG-5□3, TJG-5□3  
260 ± 50gf TMG-5□4, TJG-5□4
- Stop Strength: Max 3kgf vertical static load continuously for 15 seconds.
- Stroke: 0.25 + 0.1mm -0.2mm.
- Operation Temperature Range: -25 °C to 70 °C
- Storage Temperature Range: -30 °C to 80 °C
- Vibration Test: MIL-STD-202F METHOD 201A.  
Frequency: 10-55-10Hz/1 minute.  
Directions: X, Y, Z, three mutually perpendicular directions.  
Time: 2 hours each direction.  
High reliability.
- Shock Test: MIL-STD-202F METHOD 213 B.  
CONDITION A.  
Gravity: 50G (peak value), 11 msec.  
Direction and times: 6 sides and 3 times in each direction.  
High reliability.

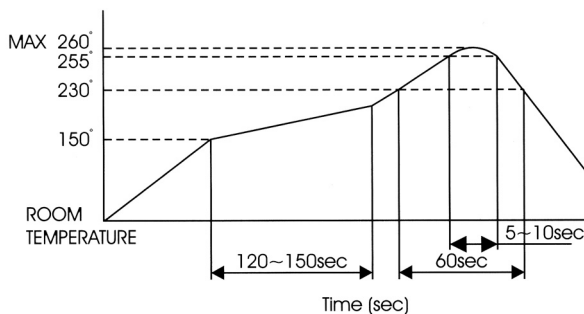
### Electrical

- Electrical Life: 100,000 cycles min. for TMG-5□2, TJG-5□2.  
100,000 cycles min. for TMG-5□3, TJG-5□3.  
200,000 cycles min. for TMG-5□4, TJG-5□4.
- Rating: 50 mA, 12VDC.
- Contact Resistance: 100 mΩ max.
- Insulation Resistance: 100 MΩ min. 500VDC.
- Dielectric Strength: 250VAC/1 minute.
- Contact Arrangement: 1 pole 1 throw.

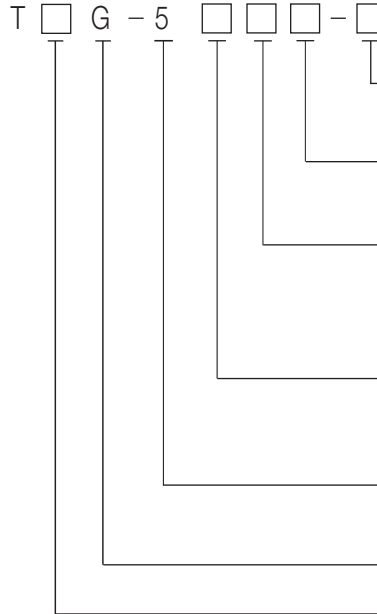
## SOLDERING PROCESSES

- △ Wave soldering: Recommended solder temperature at 260 °C max. 5 seconds subject to PCB 1.6mm thickness. (Soldering for through hole type)
- △ Hand soldering: Use a soldering iron of 30 watts, controlled at 350 °C approximately 5 seconds while applying solder.
- △ Soldering: Vapor phase & reflow soldering can be applied.

### Temperature Profile:



## HOW TO ORDER



Package:  
T/R = Tape & Reel

Soldering:  
V = Lead Free Solderable

Operating force:  
2 = 100gf  
3 = 160gf  
4 = 260gf

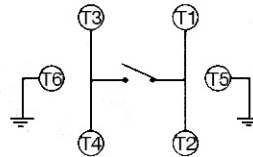
Total Height:  
2 = 0.8mm  
3 = 1.5mm

Prod. Size:  
5 = 5x5mm

With ground terminals

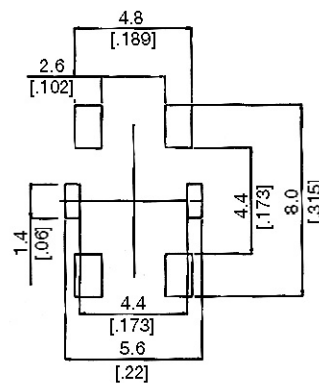
Termination type:  
M = Gull Wing  
J = J Bend

## CIRCUIT

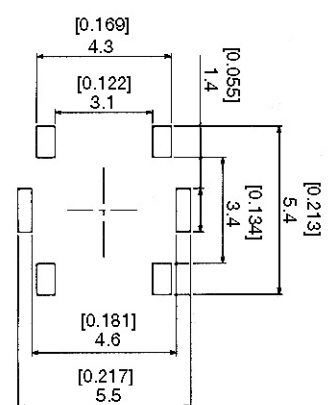


## P.C.B. LAYOUT

TMG-5 □ □



TJG-5 □ □



## PACKAGING

Tape and Reel: 4000 pcs/reel