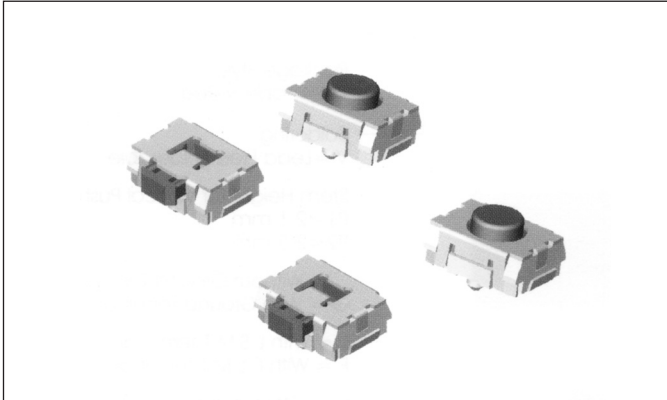


MPT SERIES
(Side push & Vertical push)



FEATURES

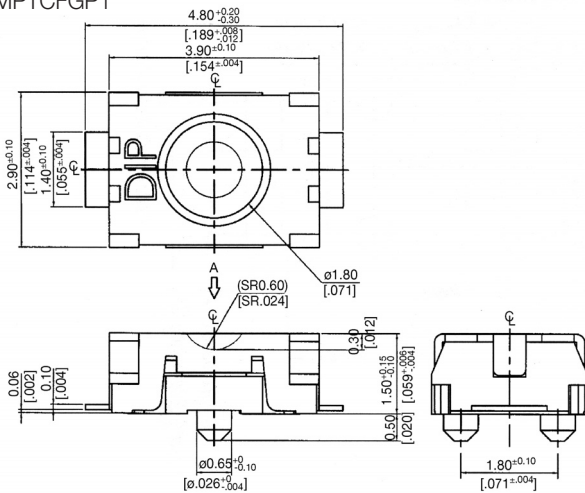
1. Sharp click feel with a positive tactile feedback. Due to a small movement distance (stroke), user experiences distinct sensation when the switch clicks into place.
2. Ultraminiature and light weight structure suitable for high density mounting. Economic but high reliability.
3. Insert molding in the contact with special treatment prevents flux build-up during soldering and permits auto-dipping.

MATERIALS

- △ Cover: Stainless steel.
- △ Base: LCP High-temp. Thermoplastic.
Color: White.
- △ STEM: LCP high-temp. Thermoplastic.
Color: Black.
- △ Contact Disc: Stainless with silver cladding.
- △ Terminal: Brass with silver plated.
- △ Tape: Teflon.

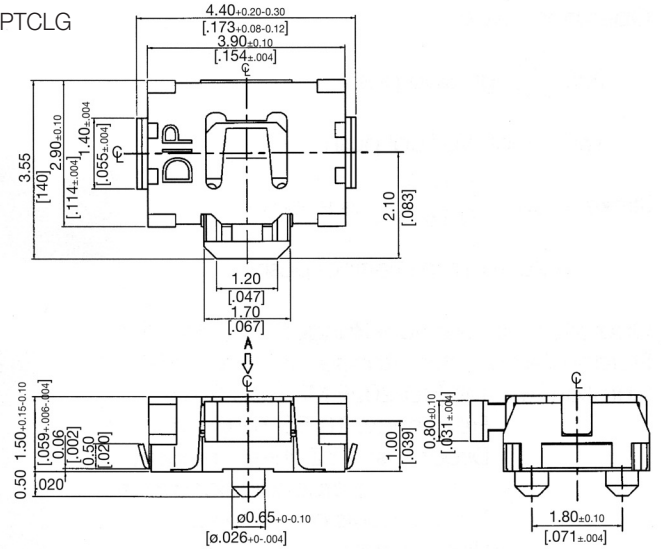
DIMENSIONS

MPTCFGP1

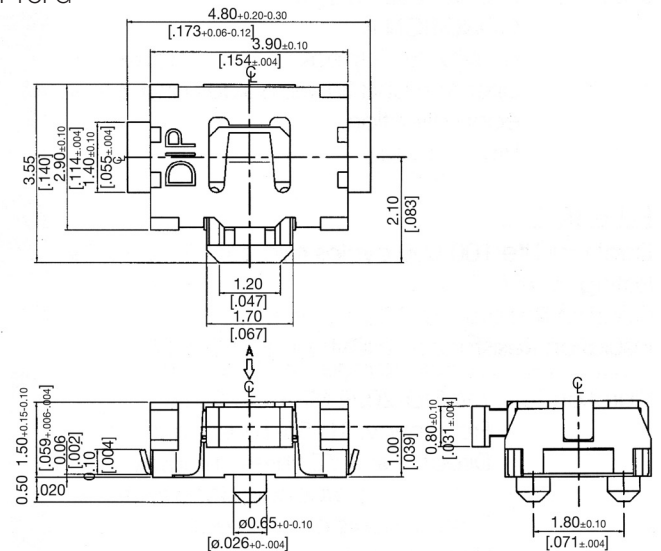


DIMENSIONS

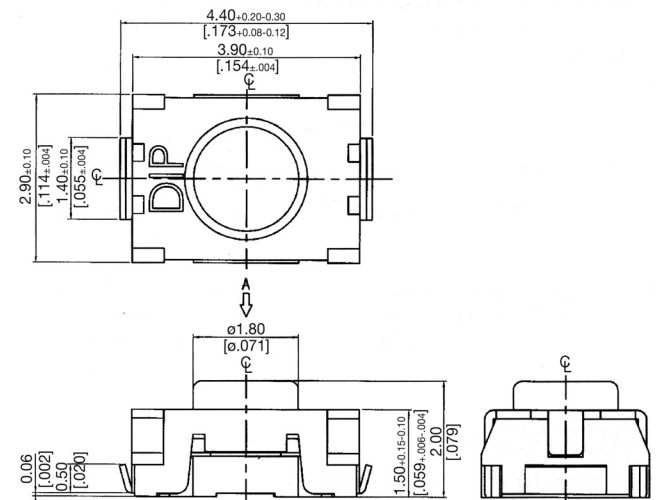
MPTCLG



MPTCFG



MPTLGP2



General Tolerance: ± 0.2 mm (± 0.008 ")



SPECIFICATION

Mechanical

- Operation Force: 160 ± 50gf Vertical Push
220 ± 65gf Side Push
- Stroke: 0.2 + 0.10 / - 0.05 mm Side push
0.13 + 0.10 / - 0.05 mm Vertical push
- Operation Temperature Range: -25 °C to 70 °C
- Storage Temperature Range: -30 °C to 80 °C
- Vibration Test: MIL-STD-202F METHOD 201A.
Frequency: 10-55-10Hz/1 minute.
Directions: X, Y, Z, three mutually perpendicular directions.
Time: 2 hours each direction.
High reliability.
- Shock Test: MIL-STD-202F METHOD 213 B.
CONDITION A.
Gravity: 50G (peak value), 11 msec.
Direction and times: 6 sides and 3 times in each direction.
High reliability.

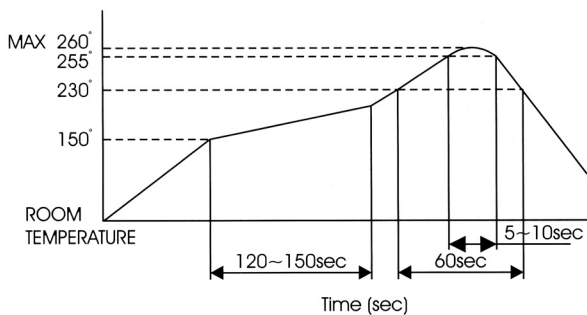
Electrical

- Electrical Life: 100,000 cycles. (Side push)
- Electrical Life: 200,000 cycles. (Vertical push)
- Rating: 50 mA, 12VDC.
- Contact Resistance: 100 mΩ max.
- Insulation Resistance: 100 MΩ min. at 100VDC.
- Dielectric Strength: 100VAC/1 minute.
- Contact Arrangement: 1 pole 1 throw.

SOLDERING PROCESSES

- △ Hand soldering: Use a soldering iron of 30 watts, controlled at 320 °C approximately 2 seconds while applying.
- △ Reflow soldering: When applying reflow soldering, the peak temperature or the reflow oven should be set to 260 °C max.

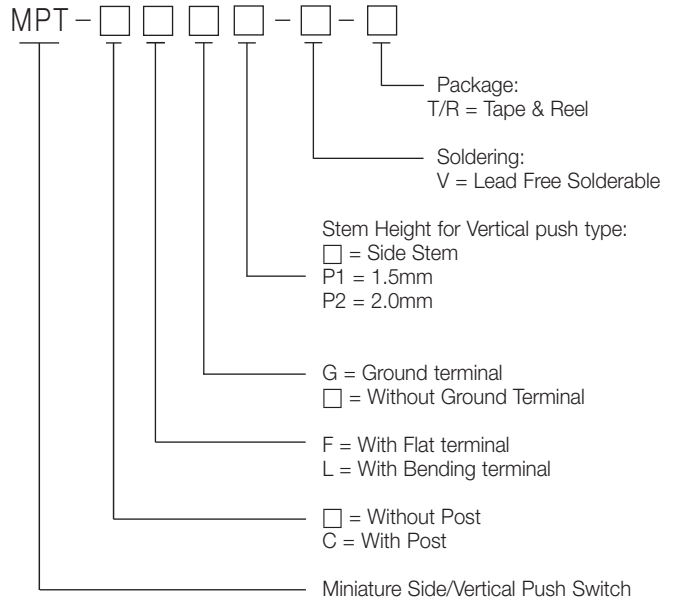
Temperature Profile:



PACKAGING

- Side push type: 3500 pcs/reel
- Vertical push type: 2000 pcs/reel

HOW TO ORDER

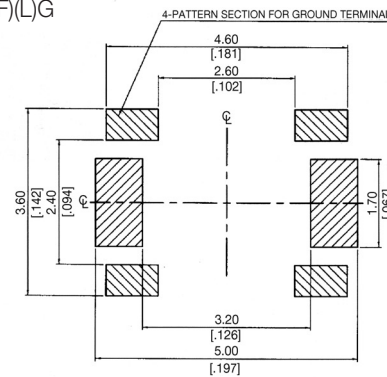


CIRCUIT



P.C.B. LAYOUT

MPT(F)(L)G



MPTC(F)(L)G, MPTC(F)(L)GP(1)(2)

