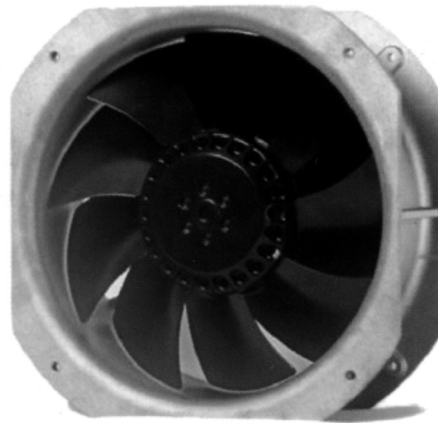
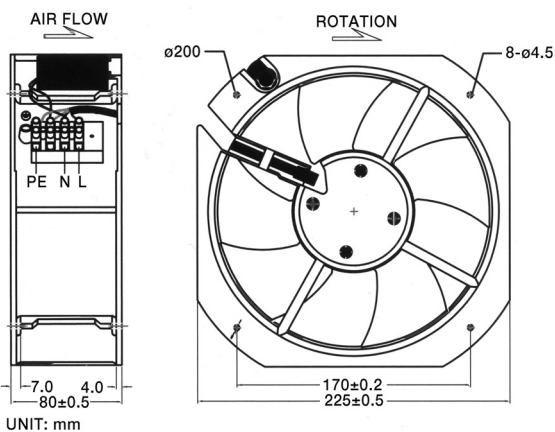


AXIAL AC FAN
225x225x80 mm



Model	Part No. Terminal Leadwire	Bearing System	Rated Voltage	Freq	Current	Input Power	Speed	Air Flow	Air Flow	Static Pressure	Noise Level	Weight
			V	Hz	A	W	rpm	CFM	m ³ /m	Inch-H ₂ O	dB-A	g
SJ2208HA1	SJ2208HA1BAT	Ball	110/120	50/60	0.58/0.70	65/72	2550/2800	530/600	15.0/17.0	0.67/0.55	59/61	2100
SJ2208HA2	SJ2208HA2BAT	Ball	220/240	50/60	0.35/0.4	75/80	2550/2800	530/600	15.0/17.0	0.67/0.55	59/61	2100

Dimensions (mm)



Performance Curve

